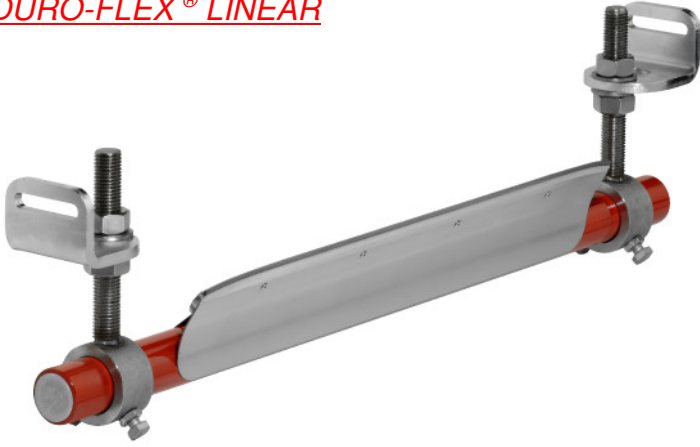


DURO-FLEX® LINEAR



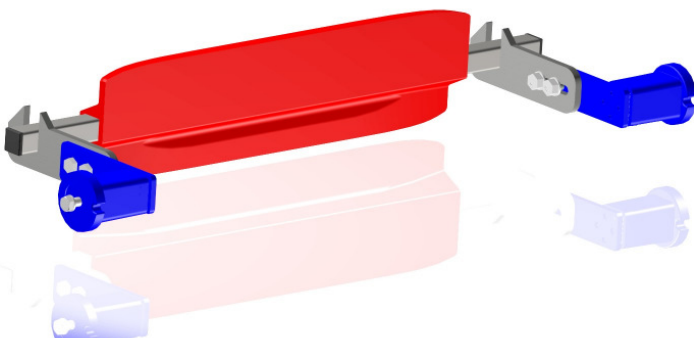
DURO-FLEX® PU-90



DURO-FLEX® P-2



DURO-FLEX® 101



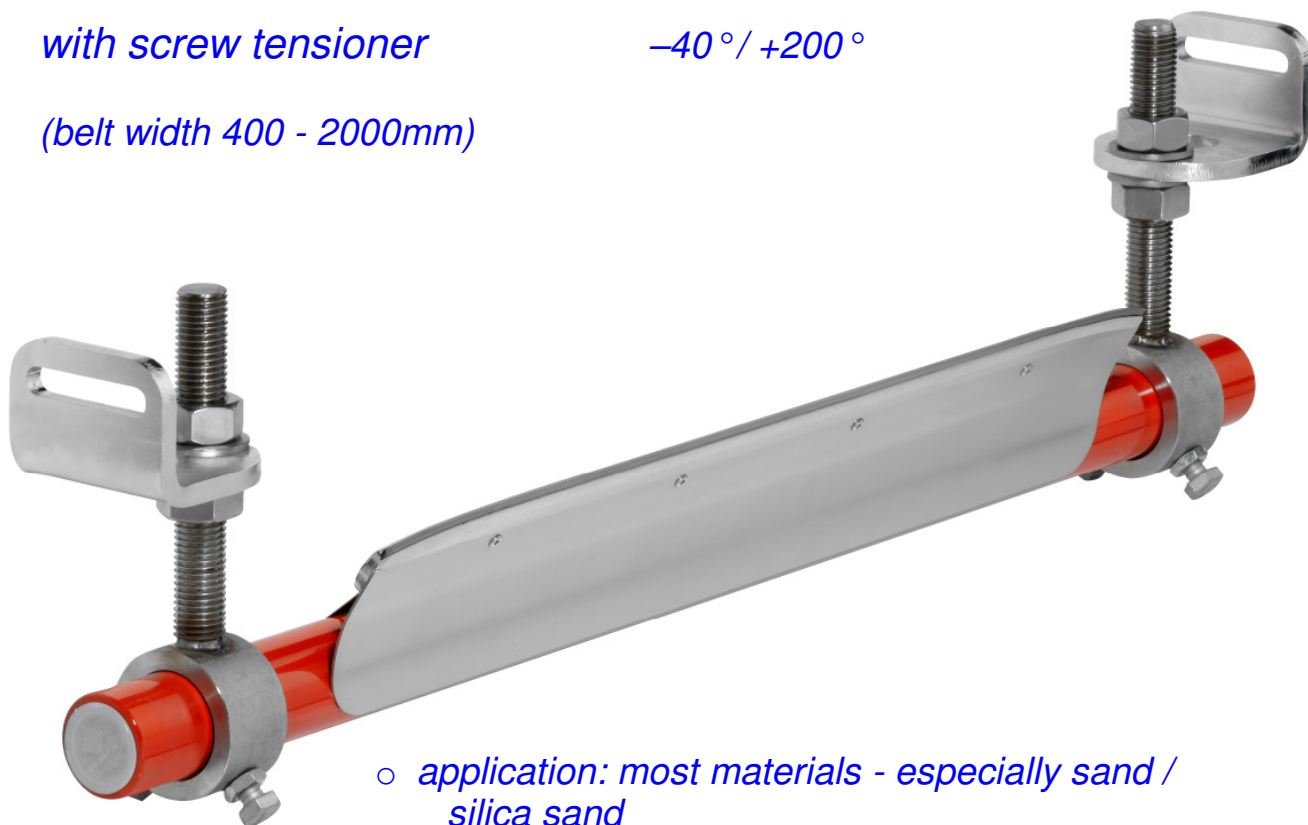
DURO-FLEX® BELT CLEANING

# DURO – FLEX<sup>®</sup> LINEAR

with screw tensioner

–40° / +200°

(belt width 400 - 2000mm)

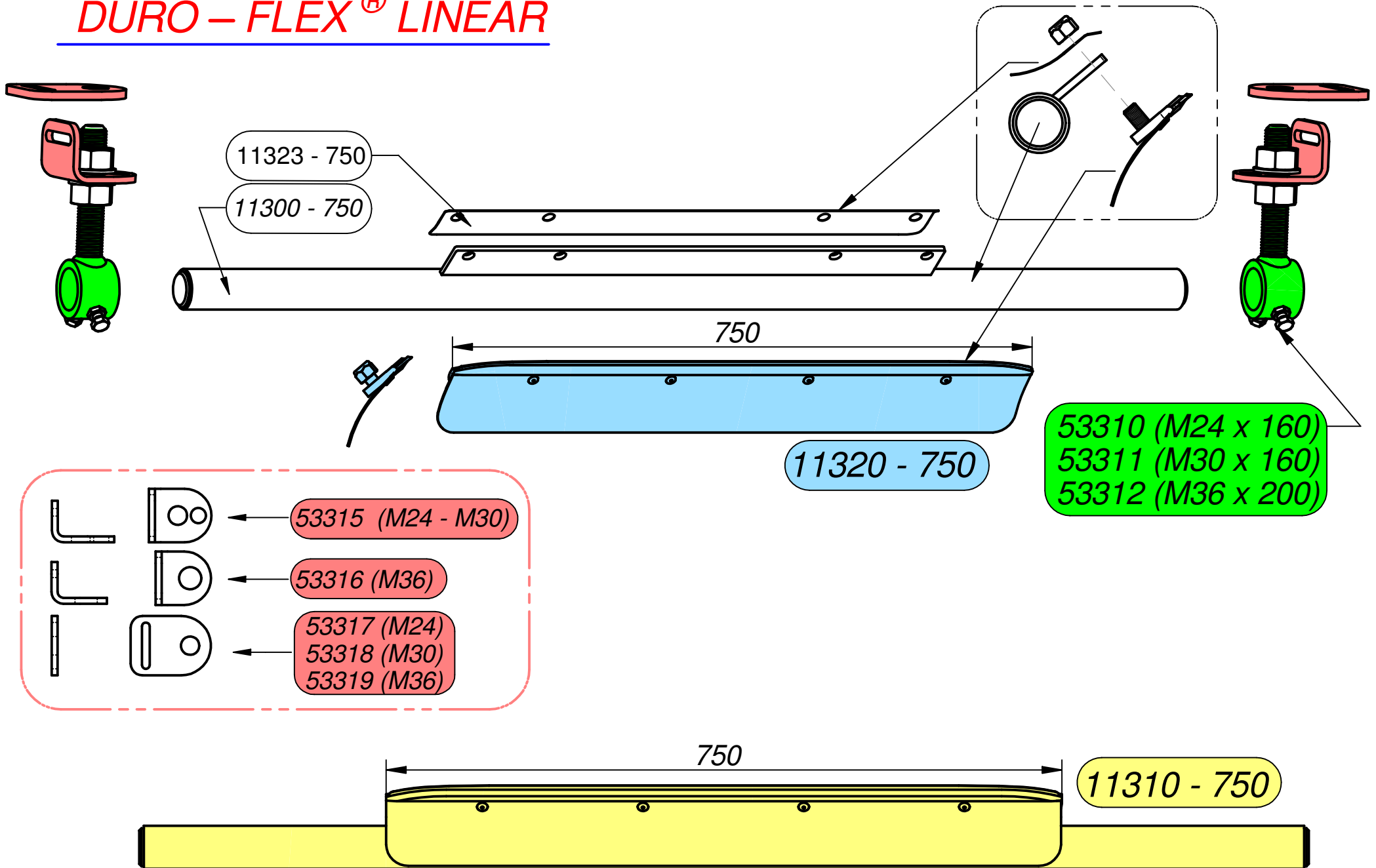


- application: most materials - especially sand / silica sand
- „ultrahard“ tungstene carbide blade: long wear time
- low maintenance
- stainless steel skirtings on front and backside
- tube alternatively stainless steel

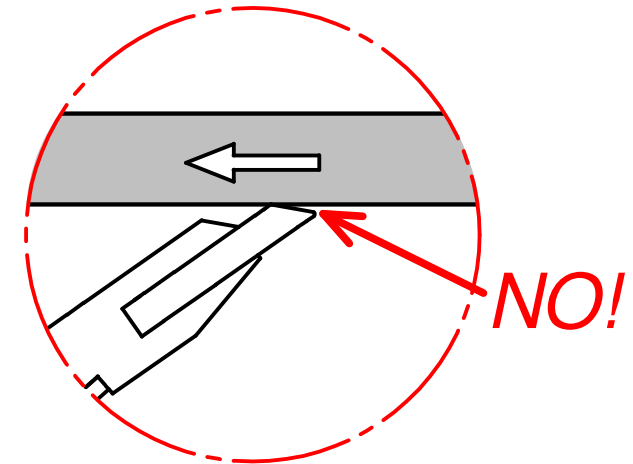
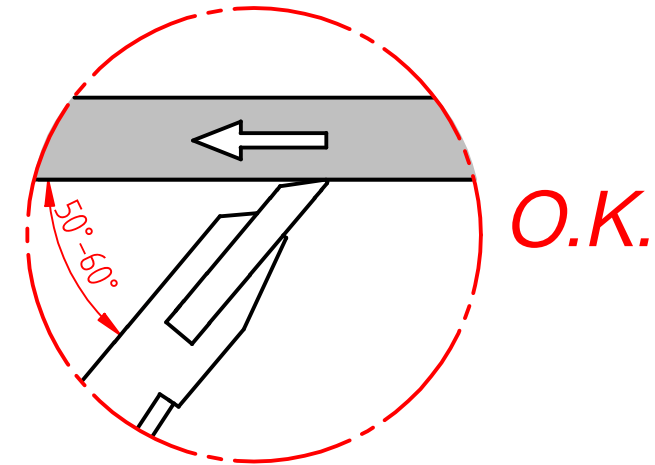
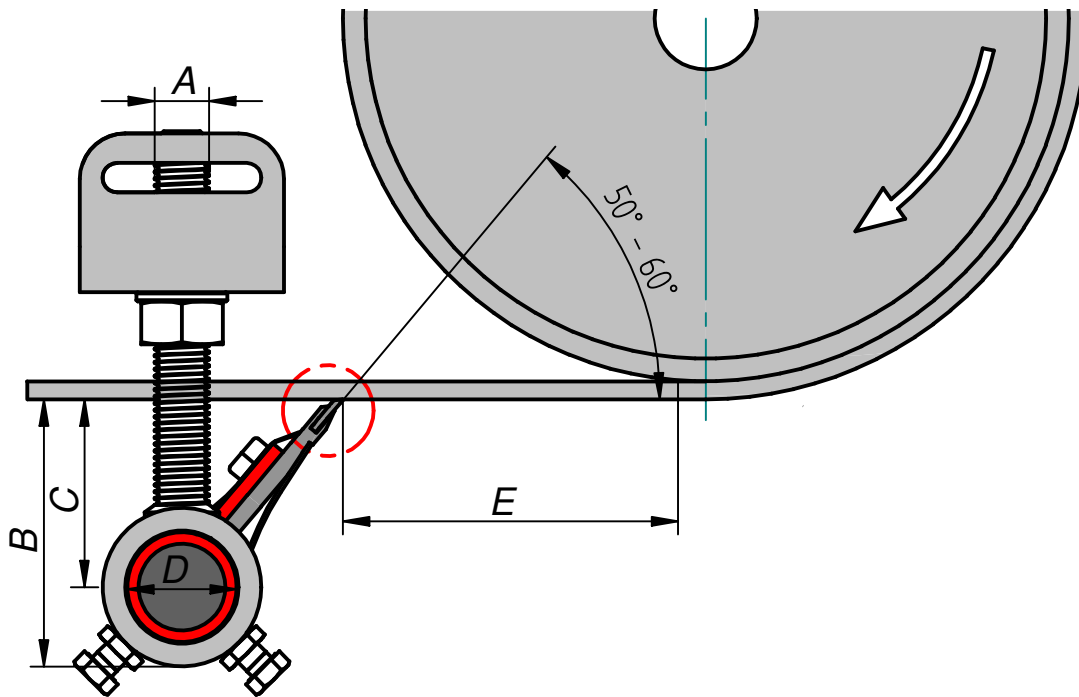
belt width	recommended scraping width	main frame	Ø main frame	scraper	price	spare blade	price	screw tensioner
mm	mm	mm	mm		€		€	
400	350	900	Ø 48,3	11310 – 350		11320 – 350		M24 x 160 (53310)
500	450	1000	"	11310 – 450		11320 – 450		
650	550	1200	"	11310 – 550		11320 – 550		
650	600	1200	"	11310 – 600		11320 – 600		
800	700	1300	"	11310 – 700		11320 – 700		M30 x 160 (53311)
800	750	1300	"	11310 – 750		11320 – 750		
1000	900	1500	"	11310 – 900		11320 – 900		
1000	950	1500	"	11310 – 950		11320 – 950		M36 x 200 (53312)
1200	1050	1700	Ø 60,3	11310 – 1050		11320 – 1050		
1200	1125	1700	"	11310 – 1125		11320 – 1125		
1400	1200	1900	"	11310 – 1200		11320 – 1200		
1400	1300	1900	"	11310 – 1300		11320 – 1300		
1600	1400	2100	"	11310 – 1400		11320 – 1400		
1600	1500	2100	"	11310 – 1500		11320 – 1500		
1800	1600	2300	"	11310 – 1600		11320 – 1600		
2000	1800	2500	"	11310 – 1800		11320 – 1800		
mounting plates for screw tensioner							(53315 - 53319)	

**DURO – FLEX BELT CLEANING**

# DURO – FLEX<sup>®</sup> LINEAR



# DURO – FLEX<sup>®</sup> LINEAR



GURT / BELT  
BANDE / NASTRO

	A	B	C	φ D	E
400 mm - 650mm: →	M24x160	118mm	83mm	48,3mm	150-200mm
800 mm - 1000mm: →	M30x160	118mm	83mm	48,3mm	200-300mm
1200mm - 1800mm: →	M36x200	135mm	94mm	60,3mm	300mm

DURO-FLEX BELT CLEANING

# DURO – FLEX<sup>®</sup> LINEAR

with torsion tensioner  
(for belt width 400 to 1600mm)

-40 °C / +80 °C

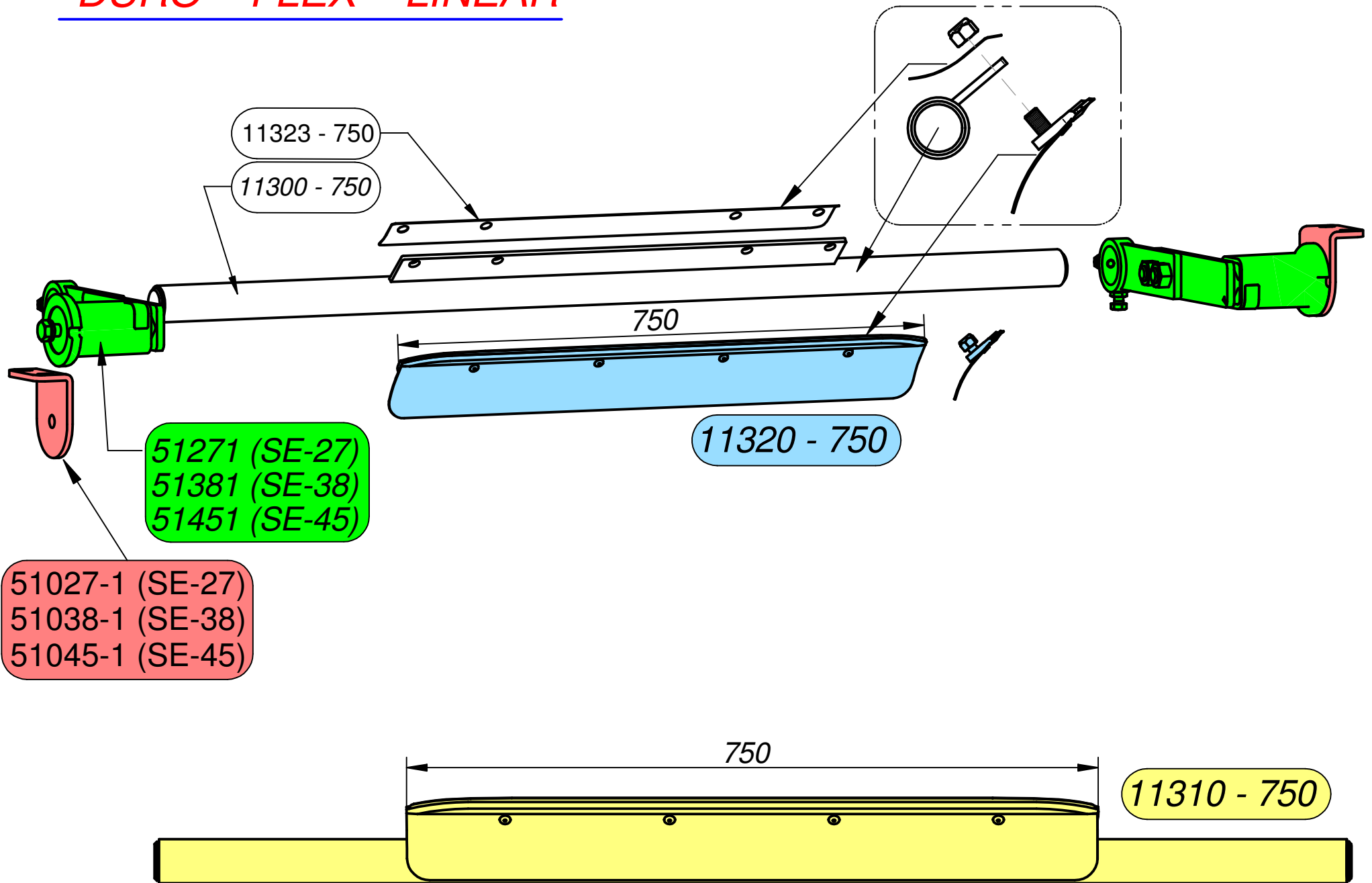


- application: most materials - especially sand / silica sand
- „ultrahard“ tungstene carbide blade: long wear time
- low maintenance
- stainless steel skirtings on front and backside
- tube alternatively stainless steel

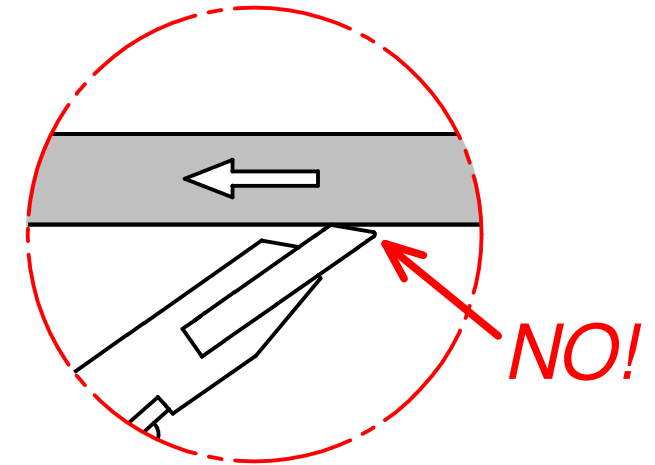
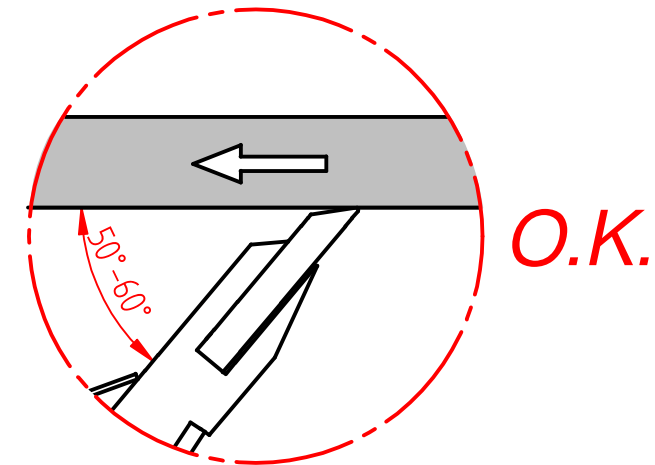
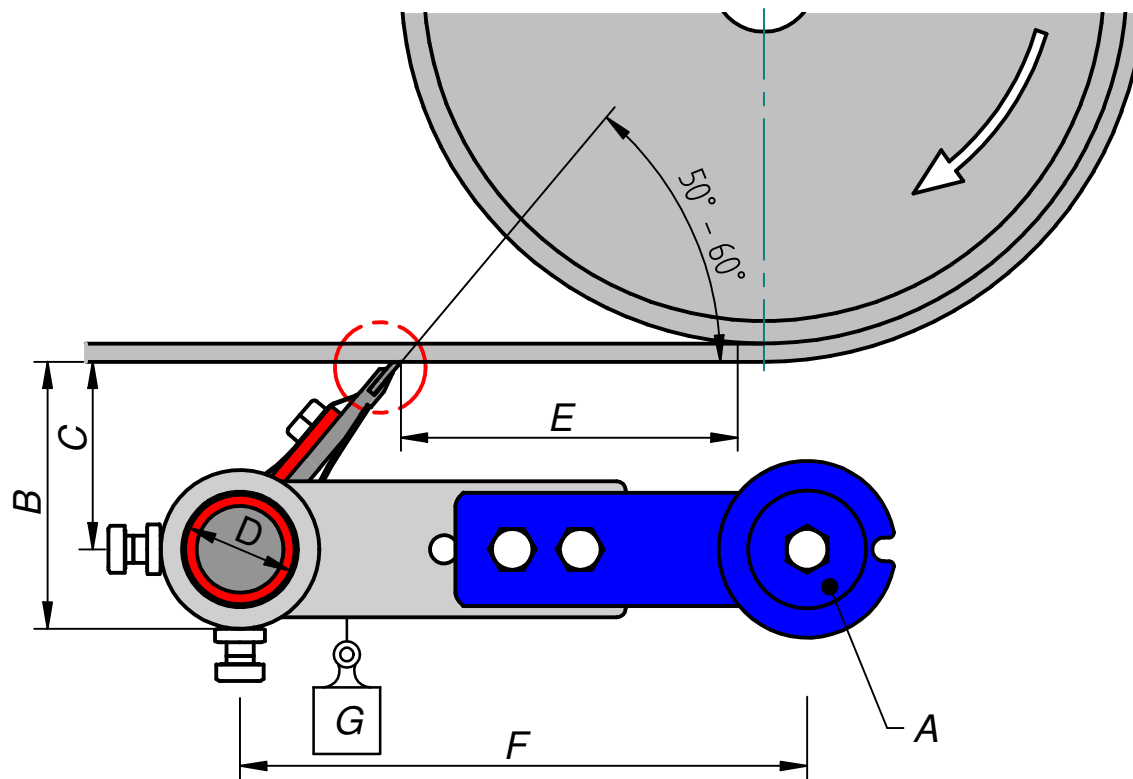
belt width	recommended scraping width	main frame	Ø main-frame	scraper	price	spare blade	price	torsion tensioner
mm	mm	mm	mm		€		€	
400	350	900	Ø 48,3	11310 – 350		11320 – 350		SE-27 incl. arms (51271)
500	450	1000	"	11310 – 450		11320 – 450		
650	550	1200	"	11310 – 550		11320 – 550		
650	600	1200	"	11310 – 600		11320 – 600		
800	700	1300	"	11310 – 700		11320 – 700		SE-38 incl. arms (51381)
800	750	1300	"	11310 – 750		11320 – 750		
1000	900	1500	"	11310 – 900		11320 – 900		
1000	950	1500	"	11310 – 950		11320 – 950		
1200	1050	1700	Ø 60,3	11310 –1050		11320 – 1050		
1200	1125	1700	"	11310 –1125		11320 – 1125		
1400	1200	1900	"	11310 –1200		11320 – 1200		
1400	1300	1900	"	11310 –1300		11320 – 1300		
1600	1400	2100	"	11310 –1400		11320 – 1400		SE-45 incl. arms (51451)
1600	1500	2100	"	11310 –1500		11320 – 1500		
mounting plates for torsion tensioner						(51027-1; 51038-1; 51045-1)		

**DURO-FLEX BELT CLEANING**

# DURO – FLEX® LINEAR



# DURO – FLEX<sup>®</sup> LINEAR



GURT / BELT  
BANDE / NASTRO

	A	B	C	φD	E	F	G kg
400 mm - 650mm: →	SE 27 (M12)	118mm	83mm	48,3mm	100-200mm	250mm	4 - 7
800 mm - 1000mm: →	SE 38 (M16)	118mm	83mm	48,3mm	100-200mm	250mm	7 - 10
1200 mm - 1400mm: →	SE 38 (M16)	135mm	94mm	60,3mm	150-300mm	303mm	10 - 14
1600mm - 1800mm: →	SE 45 (M20)	135mm	94mm	60,3mm	150-300mm	303mm	14 - 18

DURO-FLEX BELT CLEANING

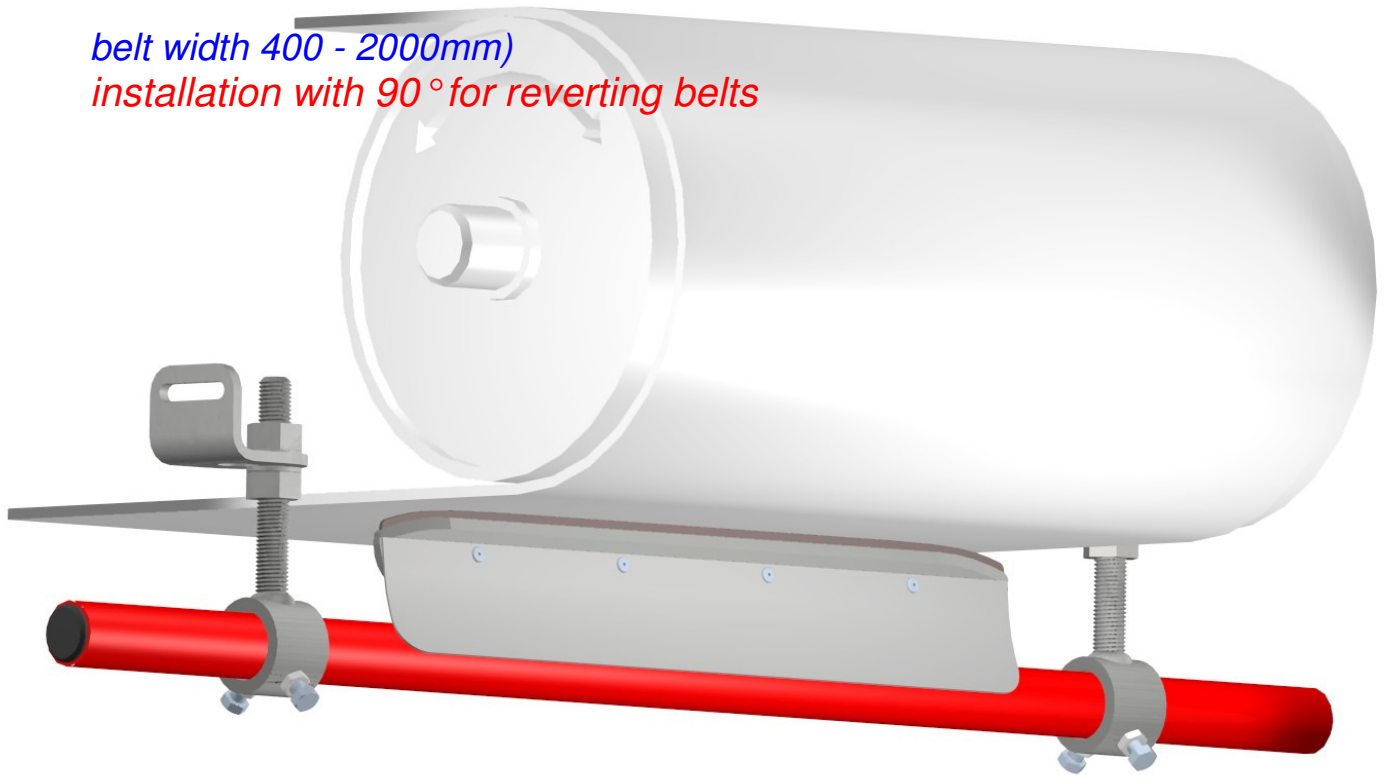
# DURO – FLEX<sup>®</sup> LINEAR 90°

with screw tensioner

–40 °C / +200 °C

belt width 400 - 2000mm)

installation with 90° for reverting belts



- application: most materials - especially sand / silica sand
- „ultrahard“ tungstene carbide blade for long wear time
- low maintenance
- stainless steel skirtings on front and backside
- tube alternatively stainless steel

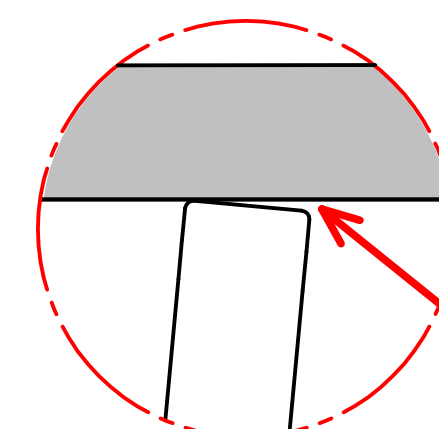
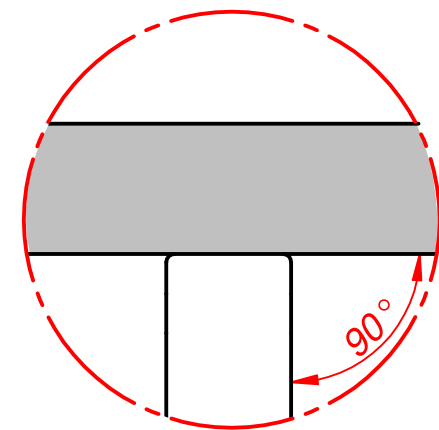
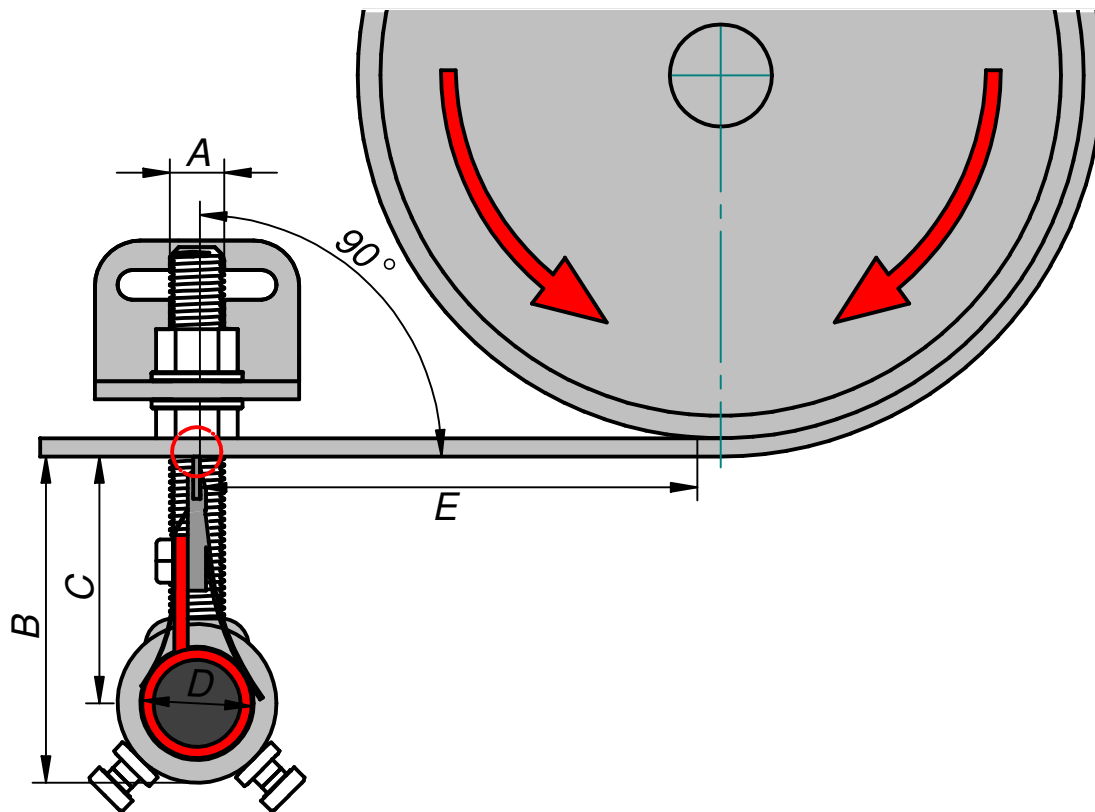
belt width	recommended scraping width	main frame	Ø main frame	scraper	price	spare blade	price	screw tensioner
mm	mm	mm	mm		€		€	
400	350	900	Ø 48,3	11310 – 350 90°		11320 – 350 90°		M24 x 160 (53310)
500	450	1000	"	11310 – 450 90°		11320 – 450 90°		
650	550	1200	"	11310 – 550 90°		11320 – 550 90°		
650	600	1200	"	11310 – 600 90°		11320 – 600 90°		
800	700	1300	"	11310 – 700 90°		11320 – 700 90°		M30 x 160 (53311)
800	750	1300	"	11310 – 750 90°		11320 – 750 90°		
1000	900	1500	"	11310 – 900 90°		11320 – 900 90°		M36 x 200 (53312)
1000	950	1500	"	11310 – 950 90°		11320 – 950 90°		
1200	1050	1700	Ø 60,3	11310 – 1050 90°		11320 – 1050 90°		
1200	1125	1700	"	11310 – 1125 90°		11320 – 1125 90°		
1400	1200	1900	"	11310 – 1200 90°		11320 – 1200 90°		
1400	1300	1900	"	11310 – 1300 90°		11320 – 1300 90°		
1600	1400	2100	"	11310 – 1400 90°		11320 – 1400 90°		(53315)
1600	1500	2100	"	11310 – 1500 90°		11320 – 1500 90°		

mounting plates for screw tensioner

**DURO – FLEX BELT CLEANING**



# DURO – FLEX<sup>®</sup> LINEAR 90° / REVERSIER / REVERSIBLE



GURT / BELT  
BANDE / NASTRO

	A	B	C	φ D	E
400 mm - 650mm:	M24x160	144mm	109mm	48,3mm	150-200mm
800 mm - 1000mm:	M30x160	144mm	109mm	48,3mm	200-300mm
1200mm - 1800mm:	M36x200	155mm	120mm	60,3mm	300mm

DURO-FLEX BELT CLEANING

# DURO – FLEX<sup>®</sup> REA

(belt width 400 - 2000mm)



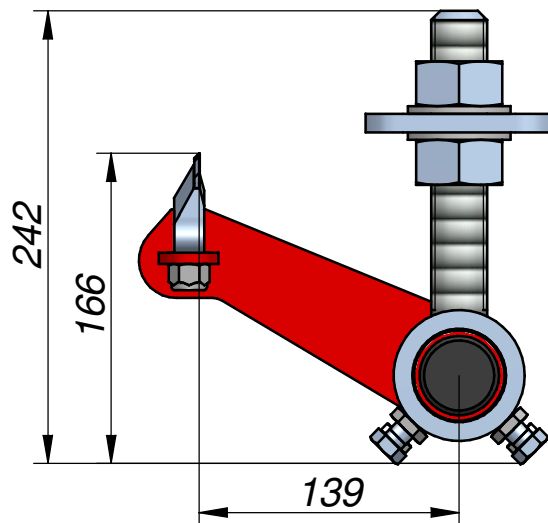
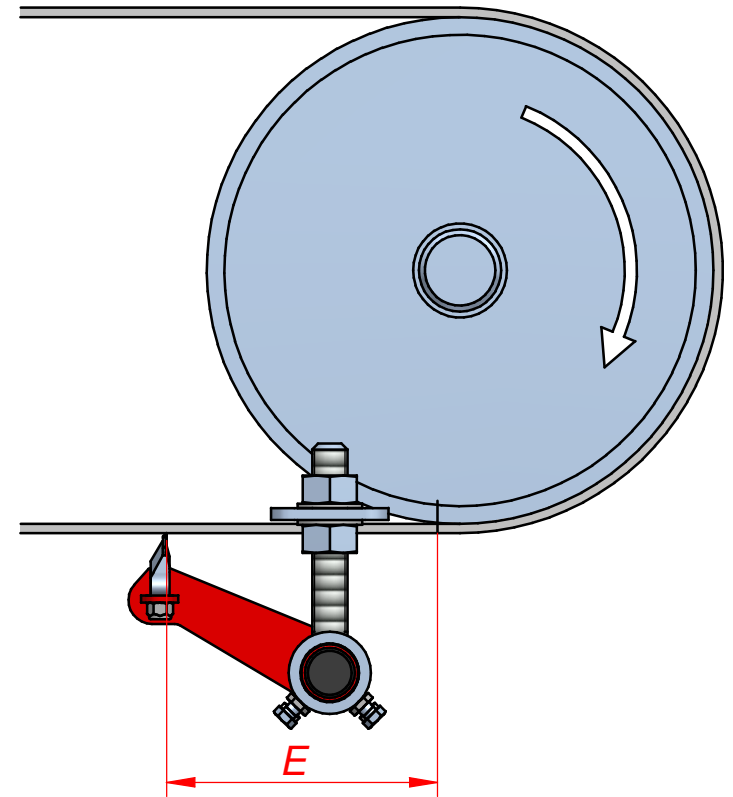
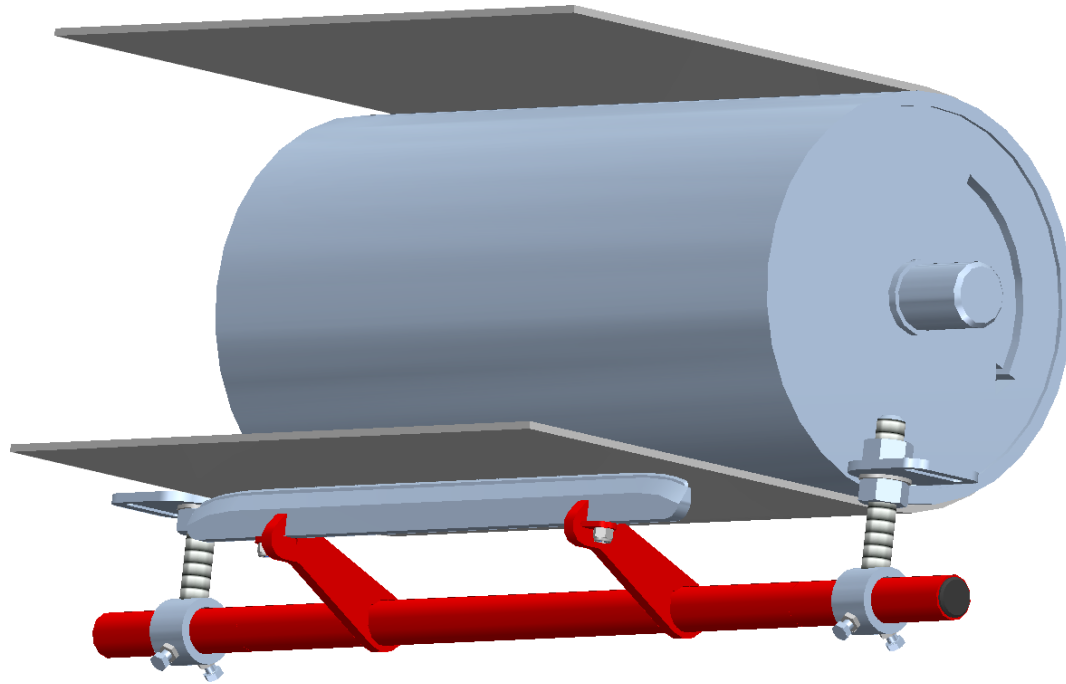
- low maintenance
- tube and scraper alternatively stainless steel
- application: especially for sticky materials like plaster...
- „ultrahard“ tungstene carbide blade for long wear time

belt width	recommended scraping width	main frame	Ø main frame	scraper	price	spare blade	price	screw tensioner
mm	mm	mm	mm		€		€	
400	350	900	Ø 48,3	11410 – 350		11420 – 350		M24 x 160 (53310)
500	450	1000	"	11410 – 450		11420 – 450		
650	600	1200	"	11410 – 600		11420 – 600		
800	750	1300	"	11410 – 750		11420 – 750		M30 x 160 (53311)
1000	950	1500	"	11410 – 950		11420 – 950		
1200	1125	1700	Ø 60,3	11410 – 1125		11420 – 1125		M36 x 200 (53312)
1400	1300	1900	"	11410 – 1300		11420 – 1300		
1600	1500	2100	"	11410 – 1500		11420 – 1500		
1800	1600	2300	"	11410 – 1600		11420 – 1600		
2000	1800	2500	"	11410 – 1800		11420 – 1800		
mounting plate for screw tensioner								

**DURO – FLEX BELT CLEANING**

# DURO-FLEX<sup>®</sup> REA mit Gewindespanner screw tensioner

tirante ad anello  
tige filetée



GURT / BELT  
BAND / NASTRO

400 - 650mm  
800 - 1400mm

E = 150 - 200mm  
E = 200 - 300mm

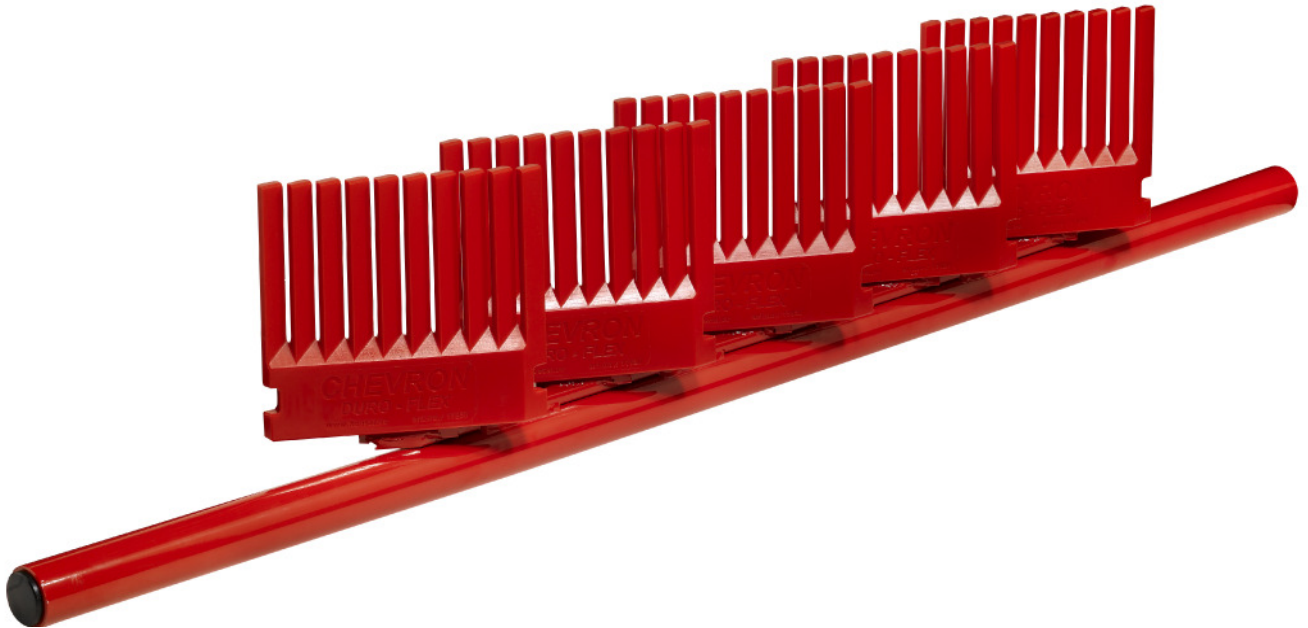
DURO-FLEX<sup>®</sup>  
BELT CLEANING

Dimension: in mm

# DURO – FLEX<sup>®</sup> CHEVRON

with screw tensioner  
(belt width 400 - 2000mm)

–30 °C / +80 °C

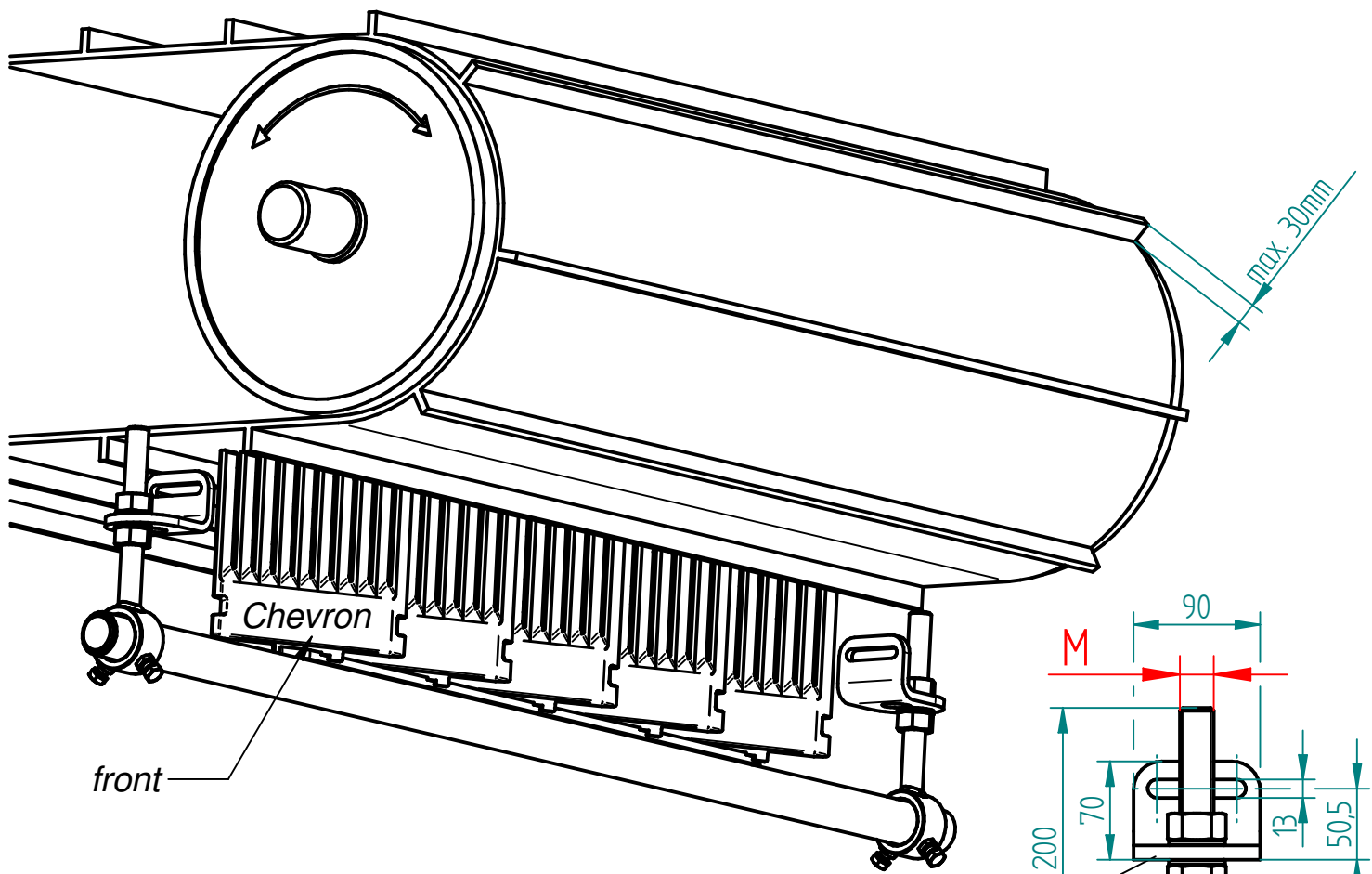


- Scrapers for belts with ribs, chevrons or other profiles (up to a height of 30 mm)
- Material is effectively removed by the finger-shaped scraper blade
- tube alternatively stainless steel
- successful on vulcanised and clip joints, easy fitting, low cost maintenance and spares

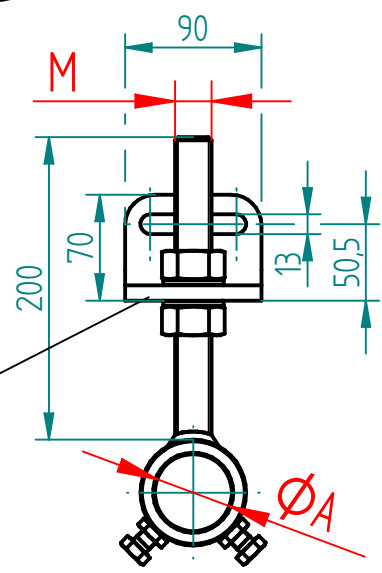
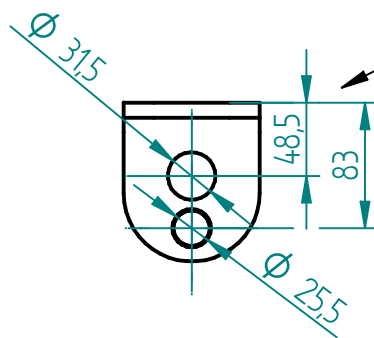
belt width	recommended scraping width	main frame	Ø main frame	no. elements	scraper	price	screw tensioner
mm	mm	mm	mm			€	
400	390	900	Ø 48,3	2	11810 – 390		M24 x 200 (53310)
500	390	1000	"	2	11810 – 390		
650	580	1200	"	3	11810 – 580		
800	770	1300	"	4	11810 – 770		
1000	960	1500	"	5	11810 – 960		
1200	1150	1700	"	6	11810 – 1150		
1400	1340	1900	"	7	11810 – 1340		M30 x 200 (53311)
1600	1530	2100	Ø 60,3	8	11810 – 1530		
1800	1720	2300	"	9	11810 – 1720		
2000	1910	2500	"	10	11810 – 1910		
Mounting plates for screw tensioner					53315		
spare blade					11820		

**DURO – FLEX BELT CLEANING**

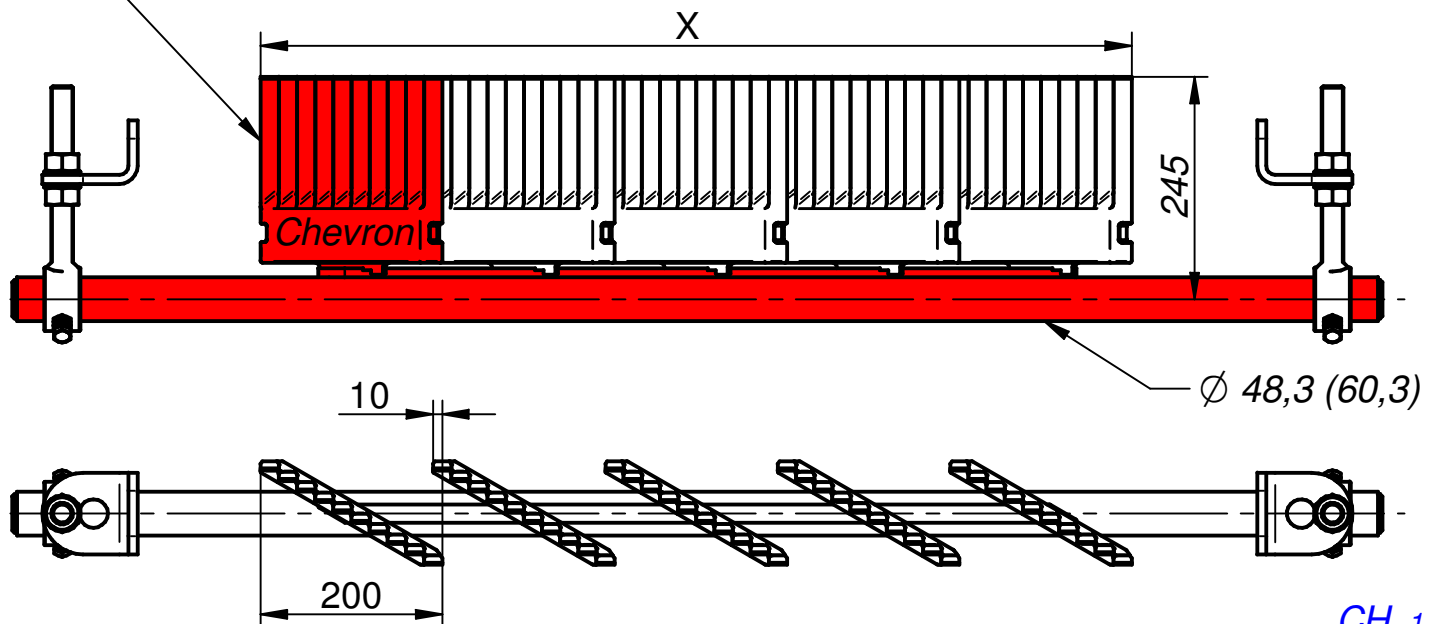
# DURO-FLEX<sup>®</sup> CHEVRON



X	A	M
390mm - 1340mm	48,3	24
1530mm - 1910mm	60,3	30



element  
Art.No. 11820



# DURO – FLEX<sup>®</sup> PU - 90

-30° / +80°

(belt width 500 - 1600mm)

suitable for reverting belts

application: wood, clay, recycling, limestone,...

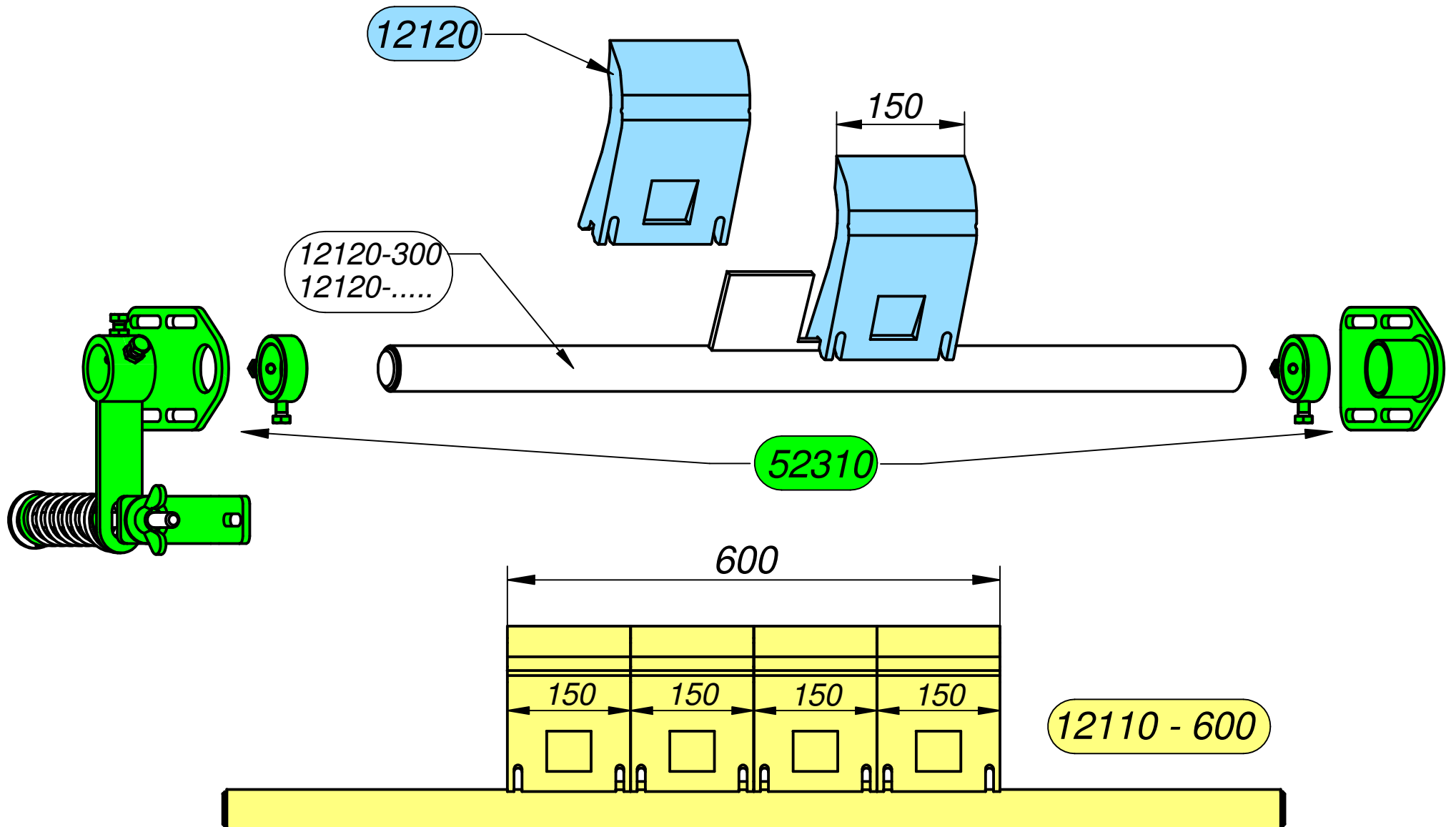


- as precleaner in combination with a secondary cleaner - in the case of wet and sticky material - (see below the recommended scraping width)
- as main cleaner, if there is no space for a secondary cleaner (scraping width according to material flow)
- applicable for mechanical splices
- low maintenance

belt width	recommended scraping width	main frame	no. elements	scraper	price	spare blade	price
mm	mm	mm			€		€
500	300	1000	2	12110 - 300		12120	
650	450	1200	3	12110 - 450			
800	600	1300	4	12110 - 600			
1000	750	1500	5	12110 - 750			
1200	900	1700	6	12110 - 900			
1400	1050	1900	7	12110-1050			
1600	1200	2100	8	12110-1200			
1800	1500	2300	10	12110-1500			
spring tensioner incl. mounting plates:				52310			
spring tensioner incl. mounting plates belt 1600-1800mm:				52310-6			

**DURO-FLEX BELT CLEANING**

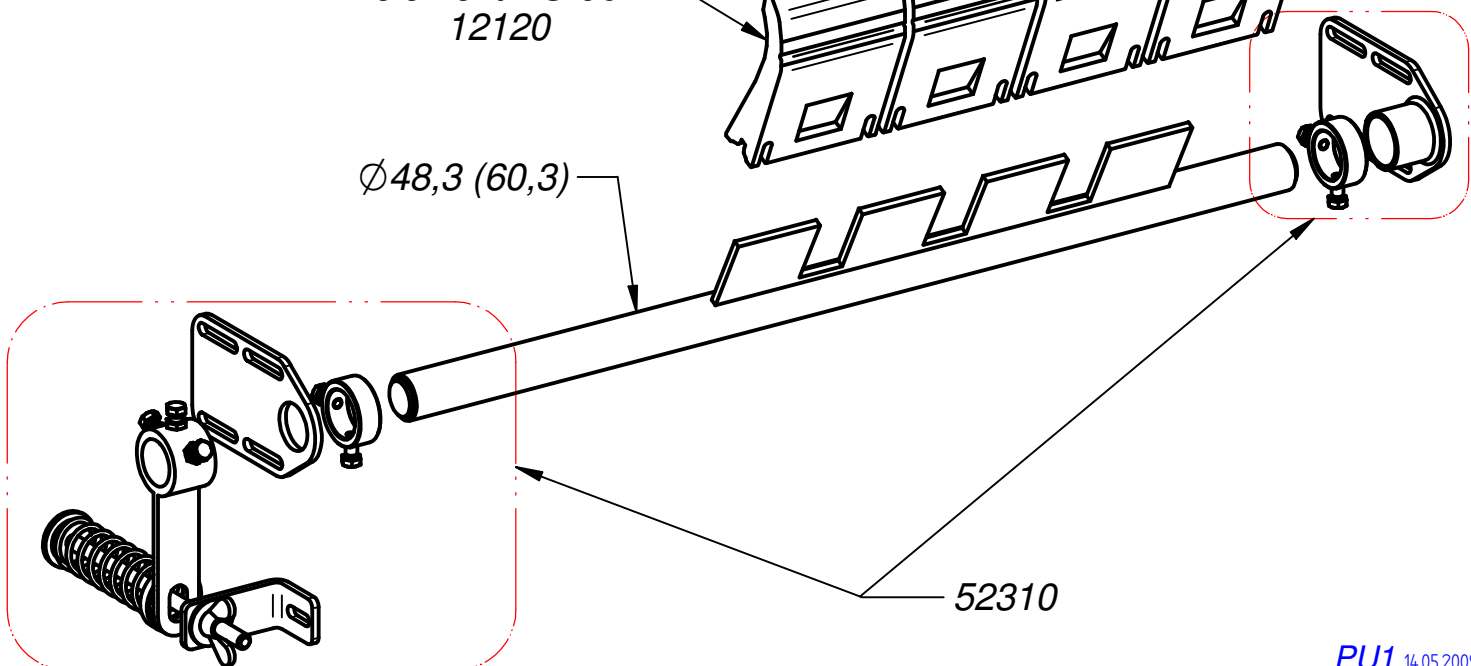
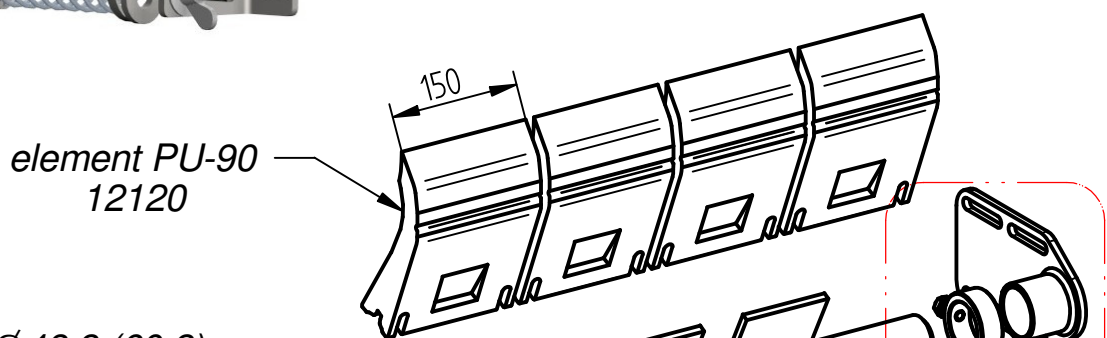
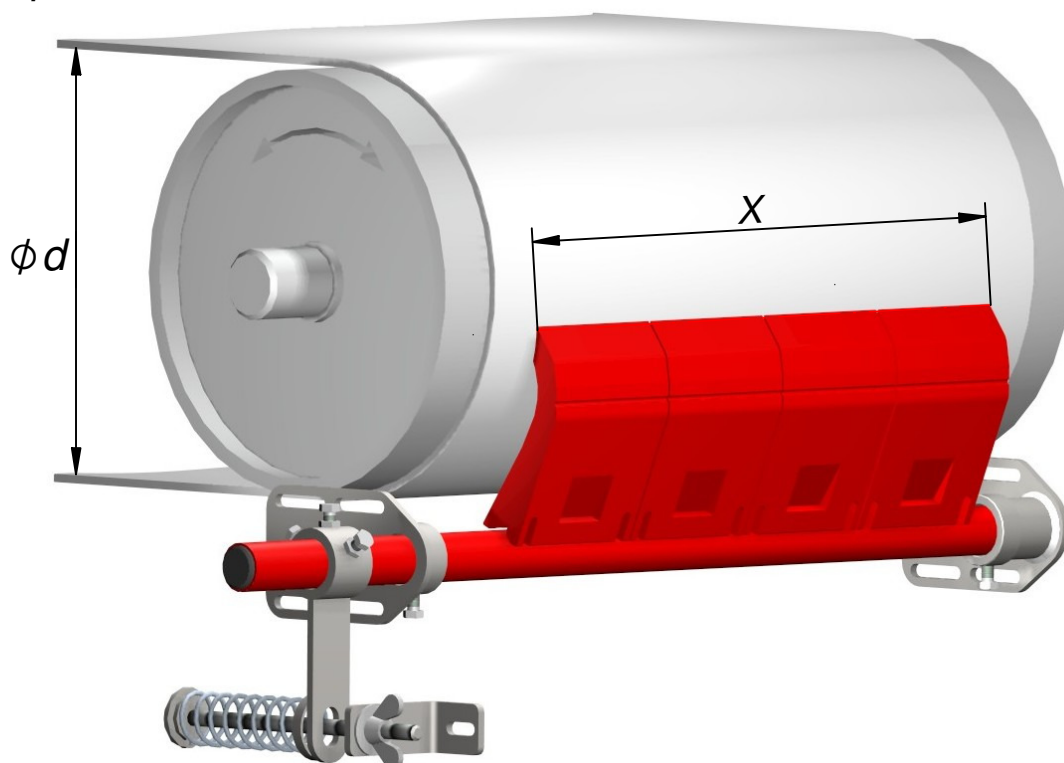
# DURO – FLEX® PU - 90



# DURO – FLEX<sup>®</sup> PU - 90

mit Federspanner      with spring-tensioner      ← 52310  
avec tendeur-ressort      con tirante a molla

$\phi d$                       320 - 800mm  
x                            300 - 1350mm  
v max                    3m / sec  
temp                      -30 / +80 °C

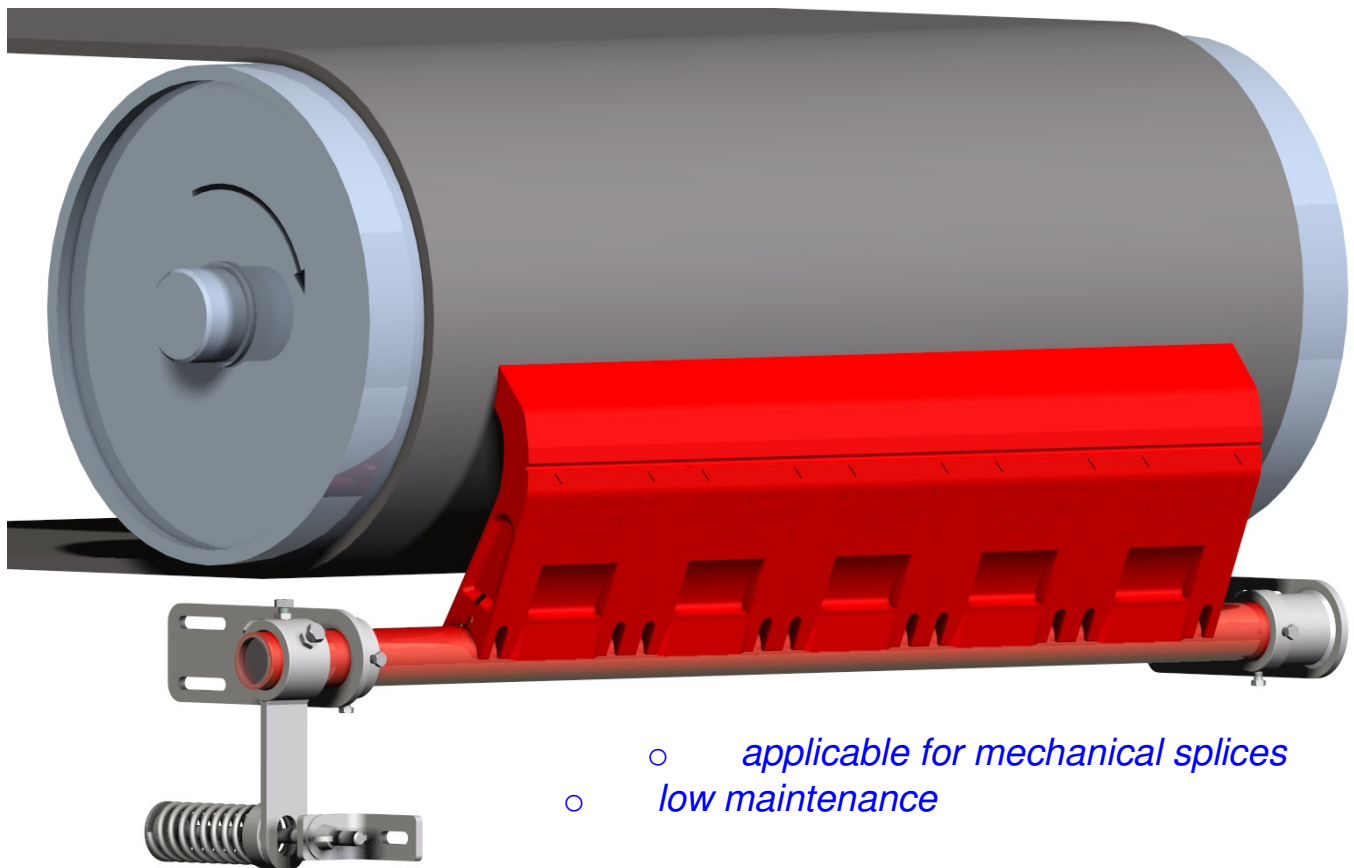




# DURO – FLEX® PU-90 L

-30° / +80°

for conveyor belts 1000 - 2400mm                      v max 7m/sec  
 drum diameter: 600mm – 1200mm  
 suitable for reverting belts  
 application: wood, clay, recycling, limestone,...



- applicable for mechanical splices
- low maintenance

belt width	<i>Recommended scraping width</i>	main frame	Ø main frame	No. elements	scraper	price
mm	mm	mm	mm			€
1000	810	1700	Ø 76	3	12110 - 810 L	
1200	1080	1900	"	4	12110-1080 L	
1400	1080	1900	"	4	12110-1080 L	
1600	1350	2300	"	5	12110-1350 L	
1800	1620	2500	"	6	12110-1620 L	
2000	1890	2700	"	7	12110-1890 L	
2200	1890	2700	"	7	12110-1890 L	
2400	2160	2900	"	8	12110-2160 L	
Spring tensioner incl. mounting plates					52310-76	
Spare blade					12120 L	

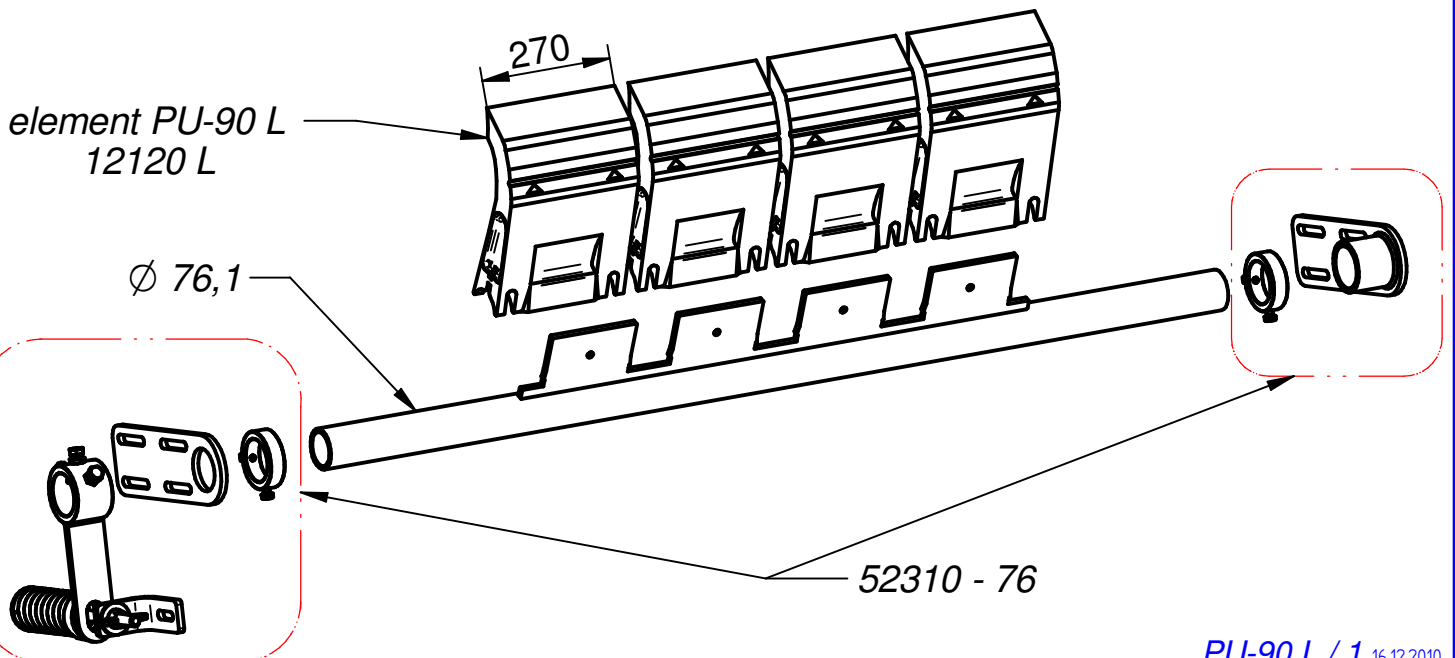
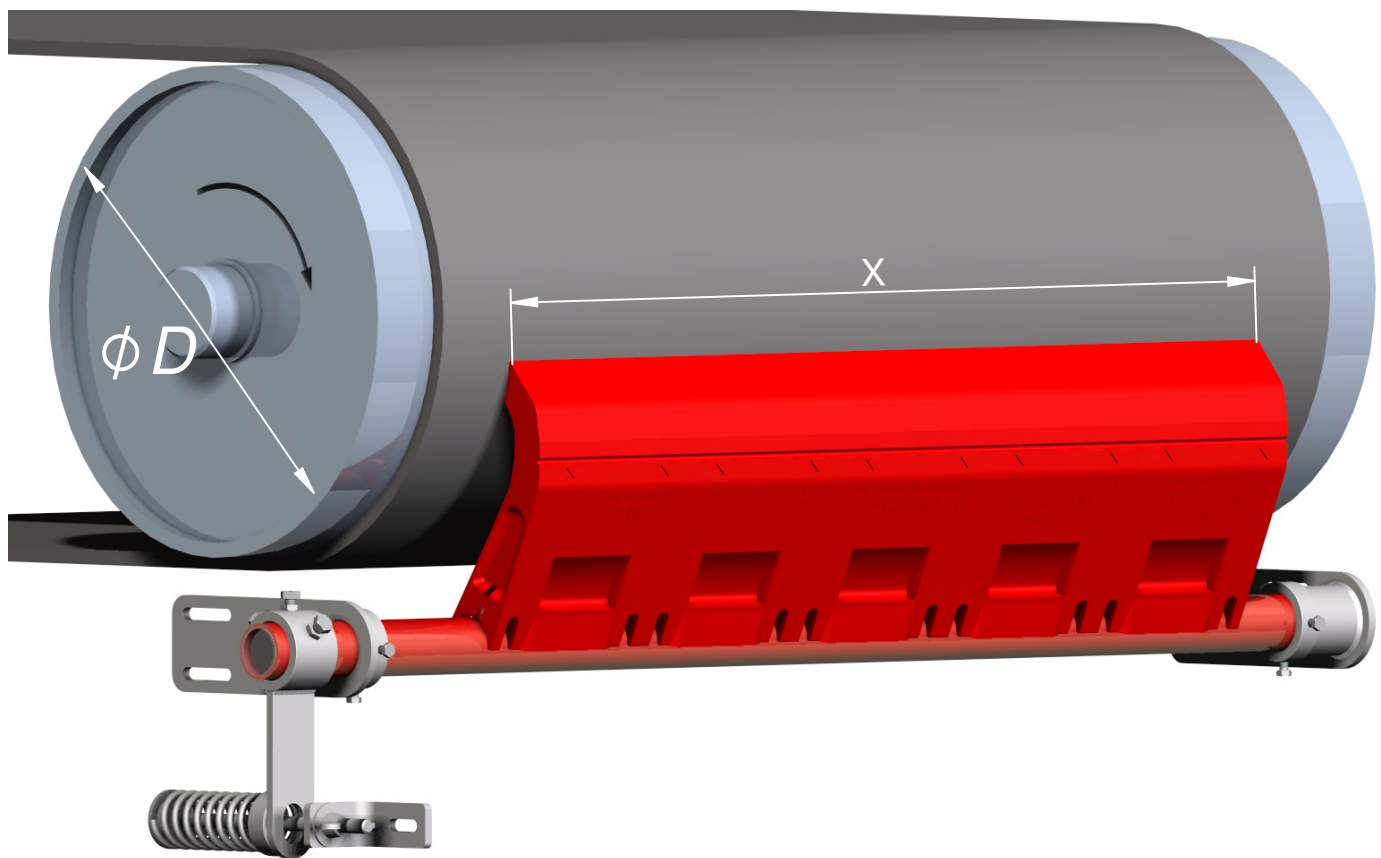
**DURO-FLEX BELT CLEANING**

# DURO - FLEX<sup>®</sup> PU - 90 L

mit Federspanner      with spring-tensioner  
avec tendeur-ressort      con tirante a molla ← 52310 - 76

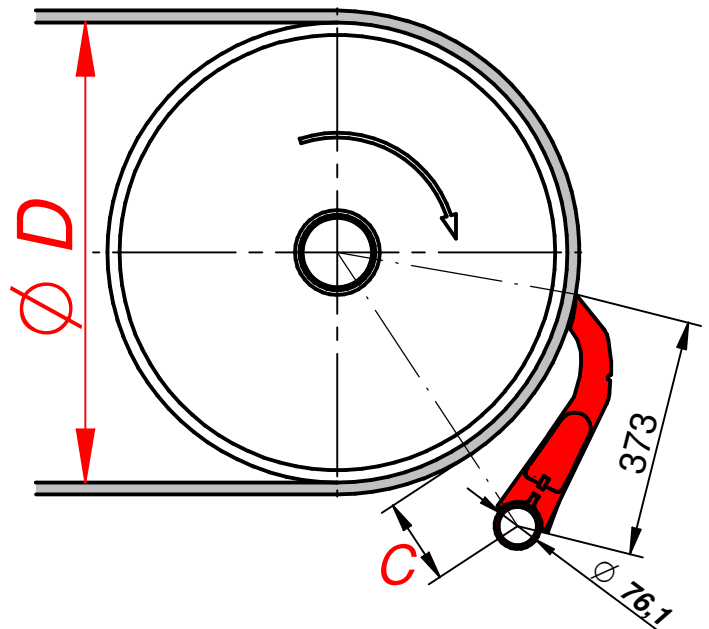
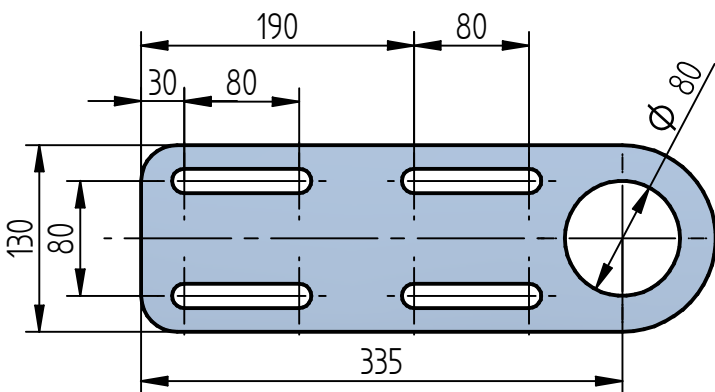
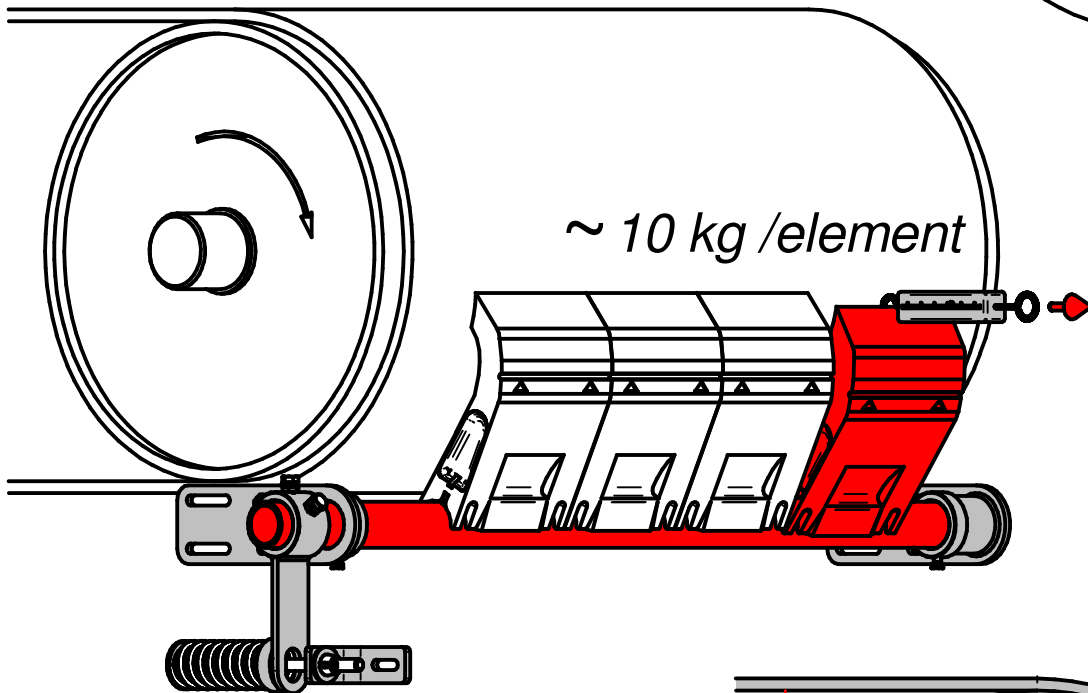
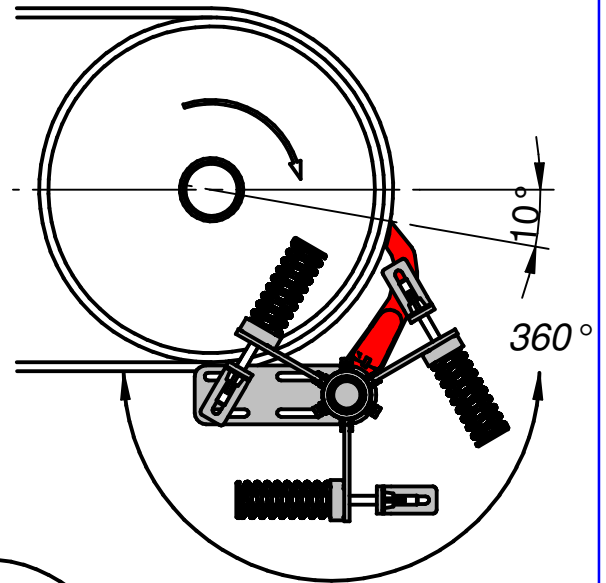
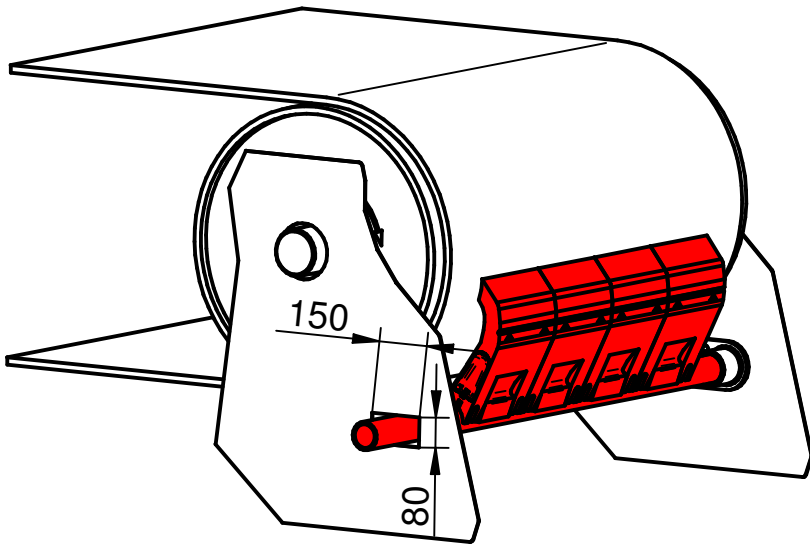
$\phi D$       600 - 1200mm  
x      810 - 2160mm

v max      7m / sec  
temp      -30 / +80 °C



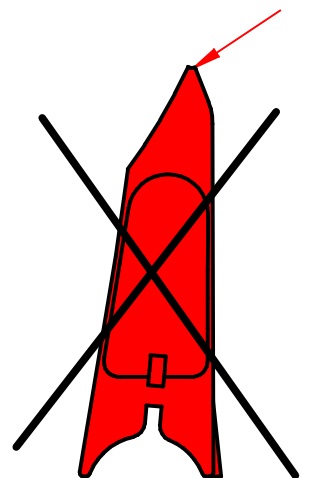
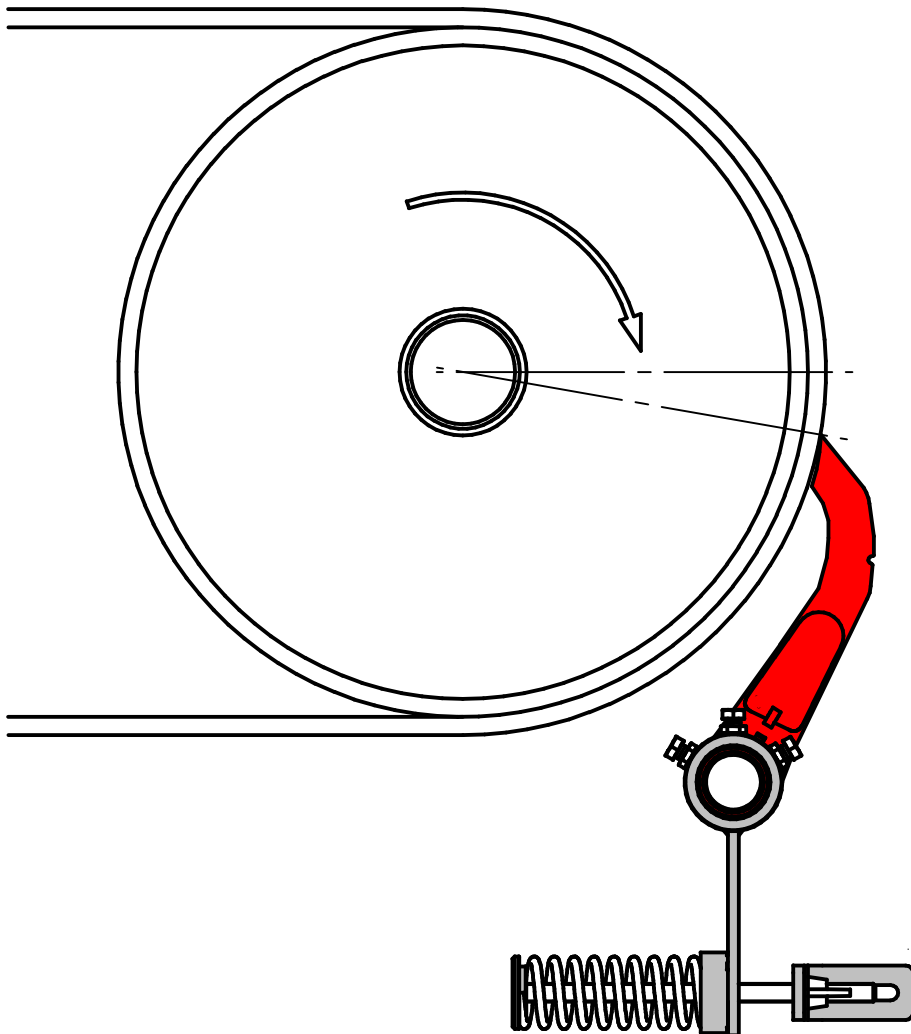
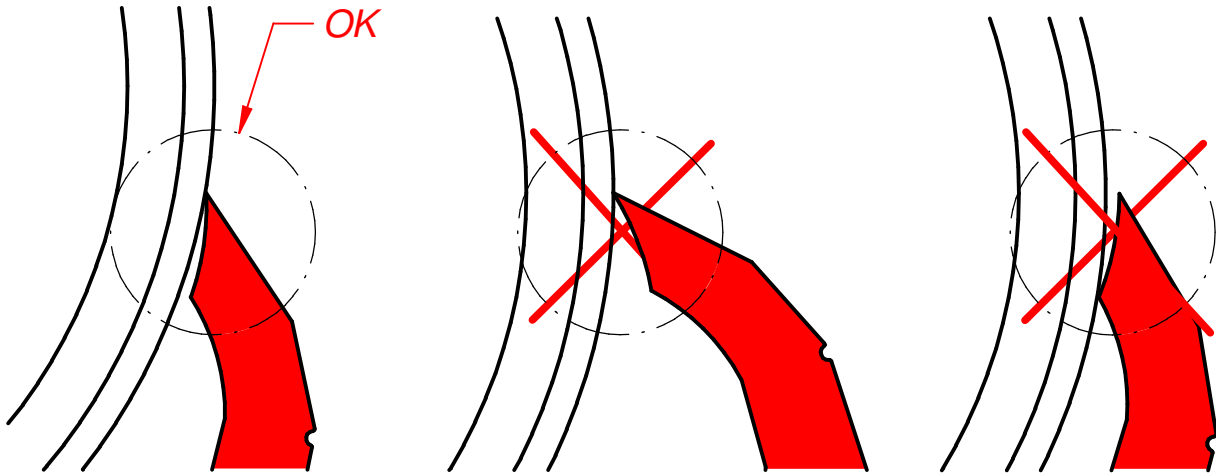
# DURO - FLEX<sup>®</sup>

# PU - 90 L



$\phi D$	{	600mm	→	$C = 175\text{mm}$
		800mm	→	$C = 150\text{mm}$
		1000mm	→	$C = 130\text{mm}$
		1200mm	→	$C = 120\text{mm}$

# *DURO - FLEX<sup>®</sup> PU - 90 L*



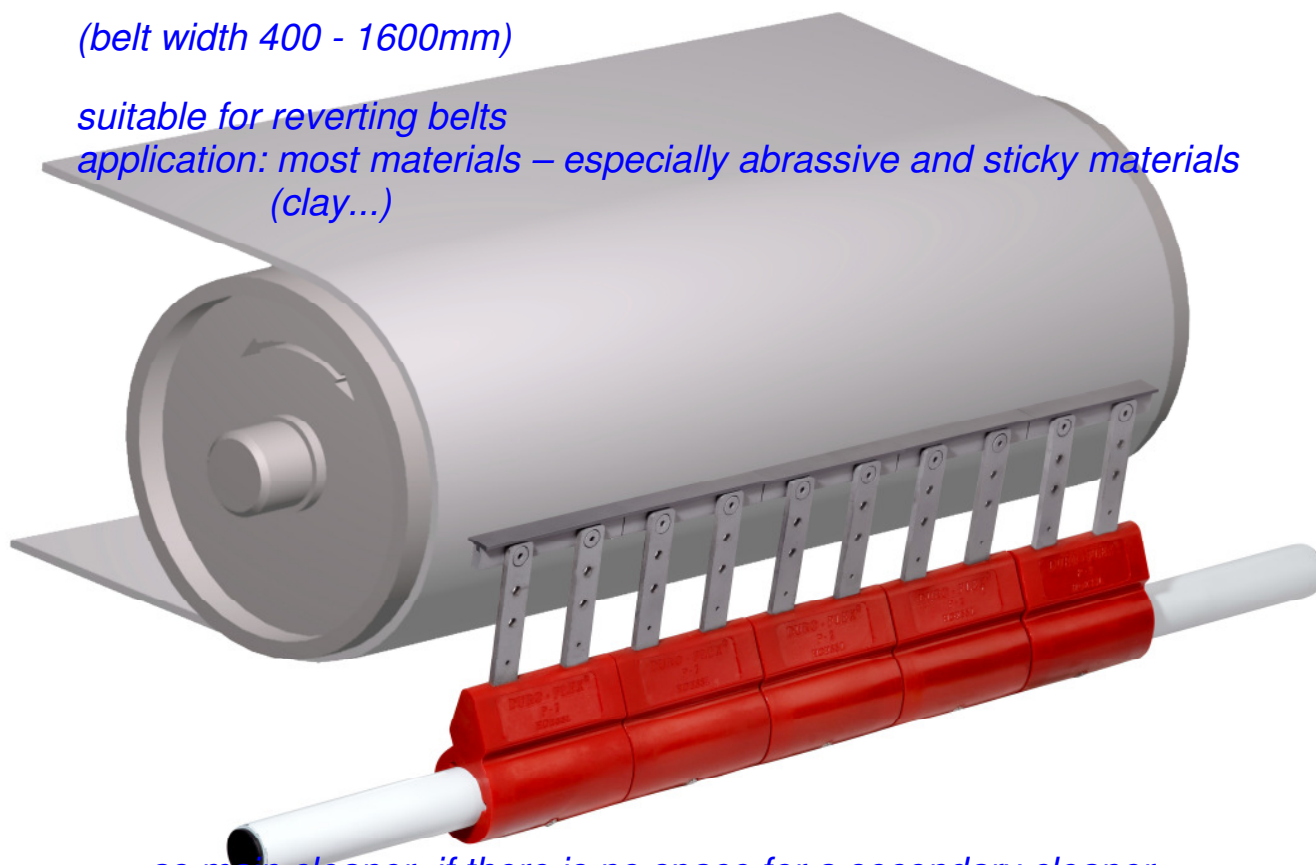
# DURO – FLEX<sup>®</sup> P-2

-30° / +80°

(belt width 400 - 1600mm)

suitable for reverting belts

application: most materials – especially abrasive and sticky materials  
(clay...)

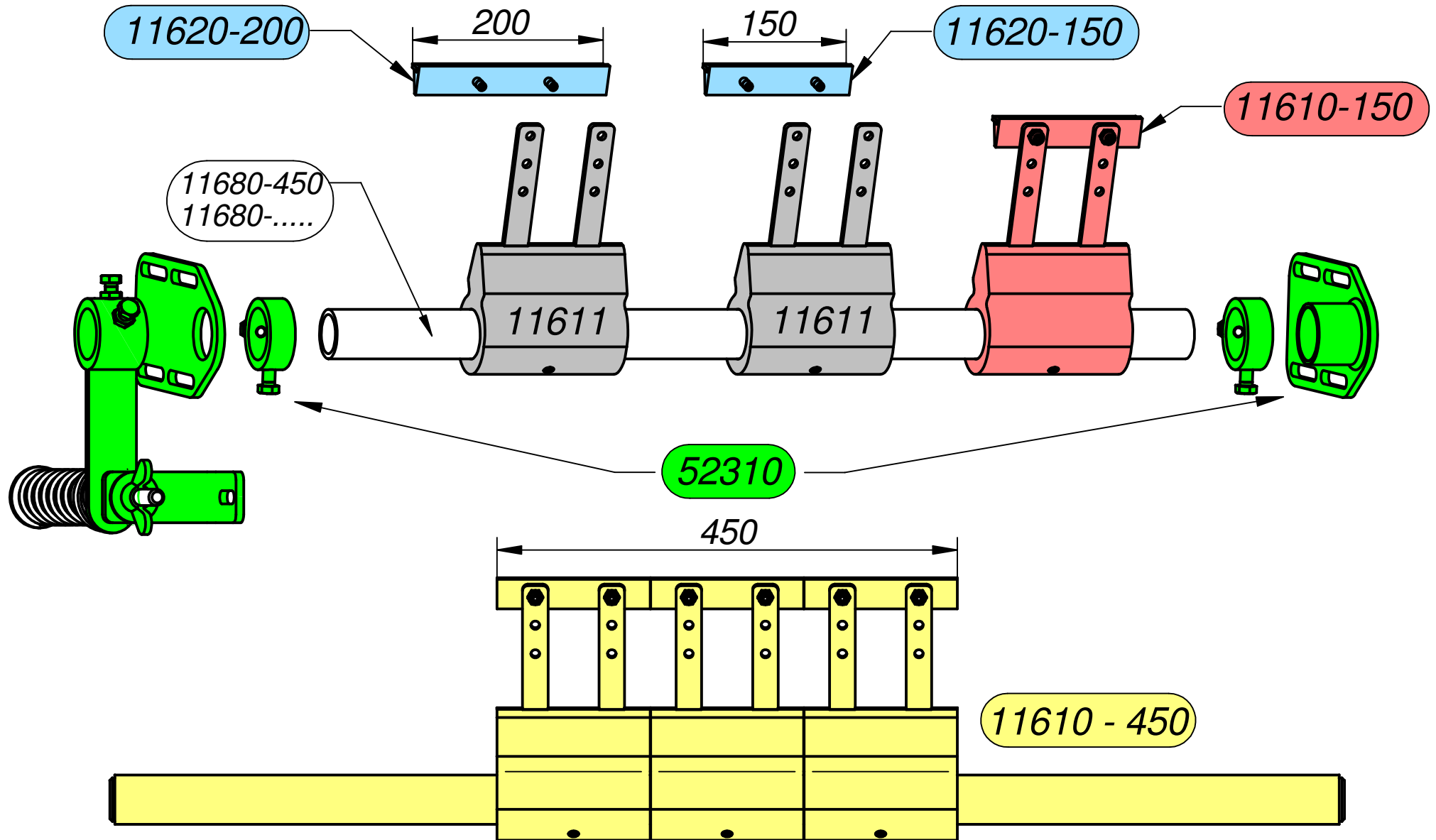


- as main cleaner, if there is no space for a secondary cleaner
- as precleaner for bulky material
- elements of **stainless steel** and **polyurethane** – limited chemical resistance
- tube alternatively stainless steel
- automatic tensioning by spring tensioner
- not applicable for mechanical splices

belt width mm	recommended scraping width mm	main frame Ø 48,3mm mm	no. elements Stück	scraper	price €	spare blade	price €
500	300	1000	2	11610 - 300		11620 – 150	
650	450	1200	3	11610 - 450		11620 – 200	
800	600	1300	4	11610 - 600			
1000	750	1500	5	11610 - 750			
1200	900	1700	6	11610 - 900			
1400	1200	1900	8	11610 – 1200			
1600	1350	2100	9	11610 – 1350			
single element P – 2 incl. tungstene carbide blade:				11610-150			
single element P – 2 without tungstene carbide blade:				11611			
spring tensioner incl. mounting plates:				52310			
elongation for drum dia. 600 – 1000mm:				11690			

**DURO-FLEX BELT CLEANING**

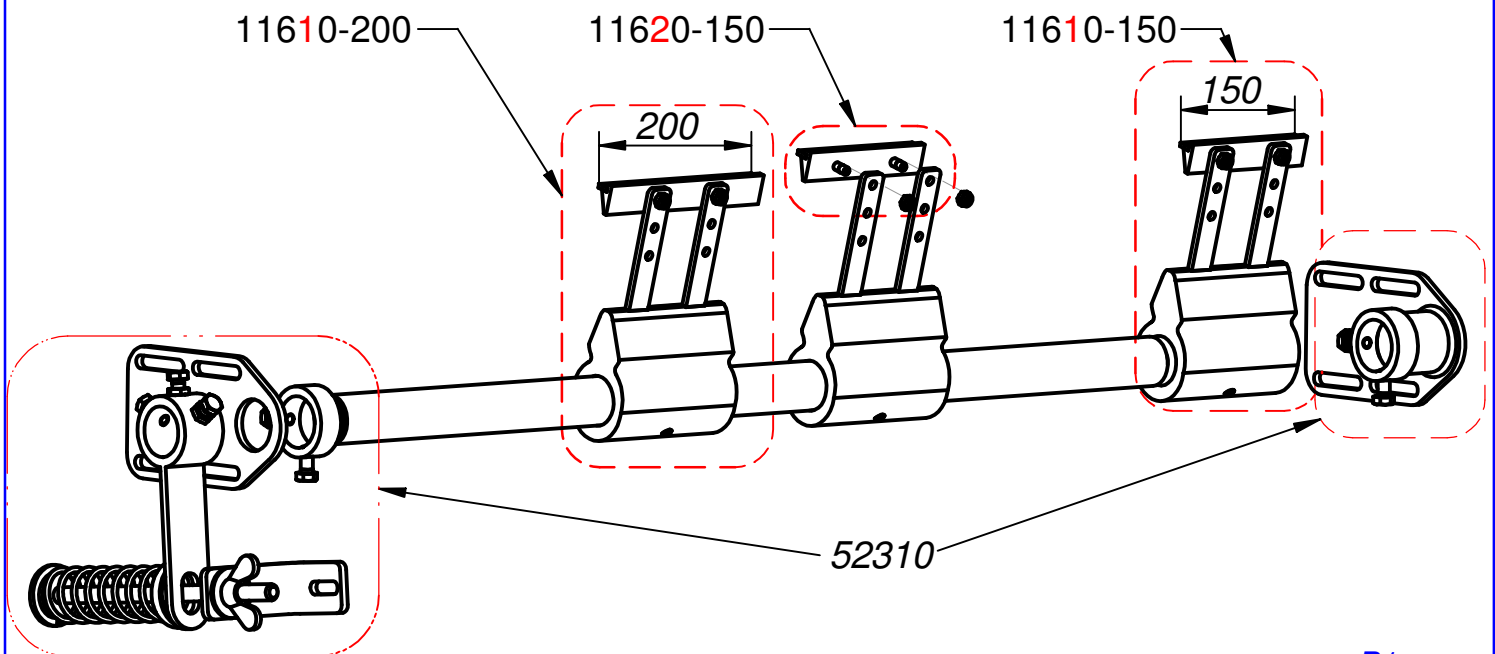
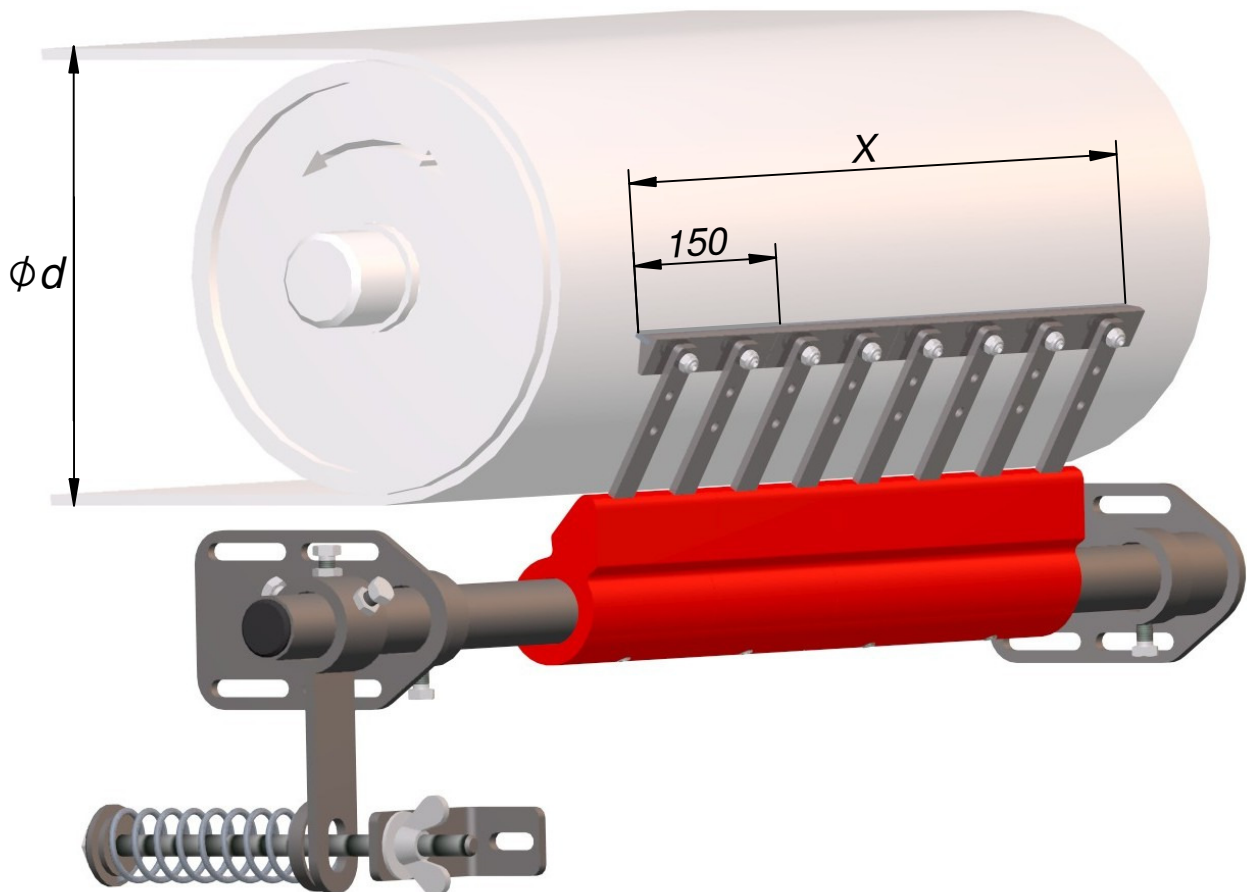
# DURO – FLEX<sup>®</sup> P - 2



# DURO – FLEX<sup>®</sup> P - 2

mit Federspanner      with spring-tensioner      ← 52310  
avec tendeur-ressort      con tirante a molla

x                      300 - 1350mm  
v max                1,5m / sec  
temp                 -30 / +80 °C



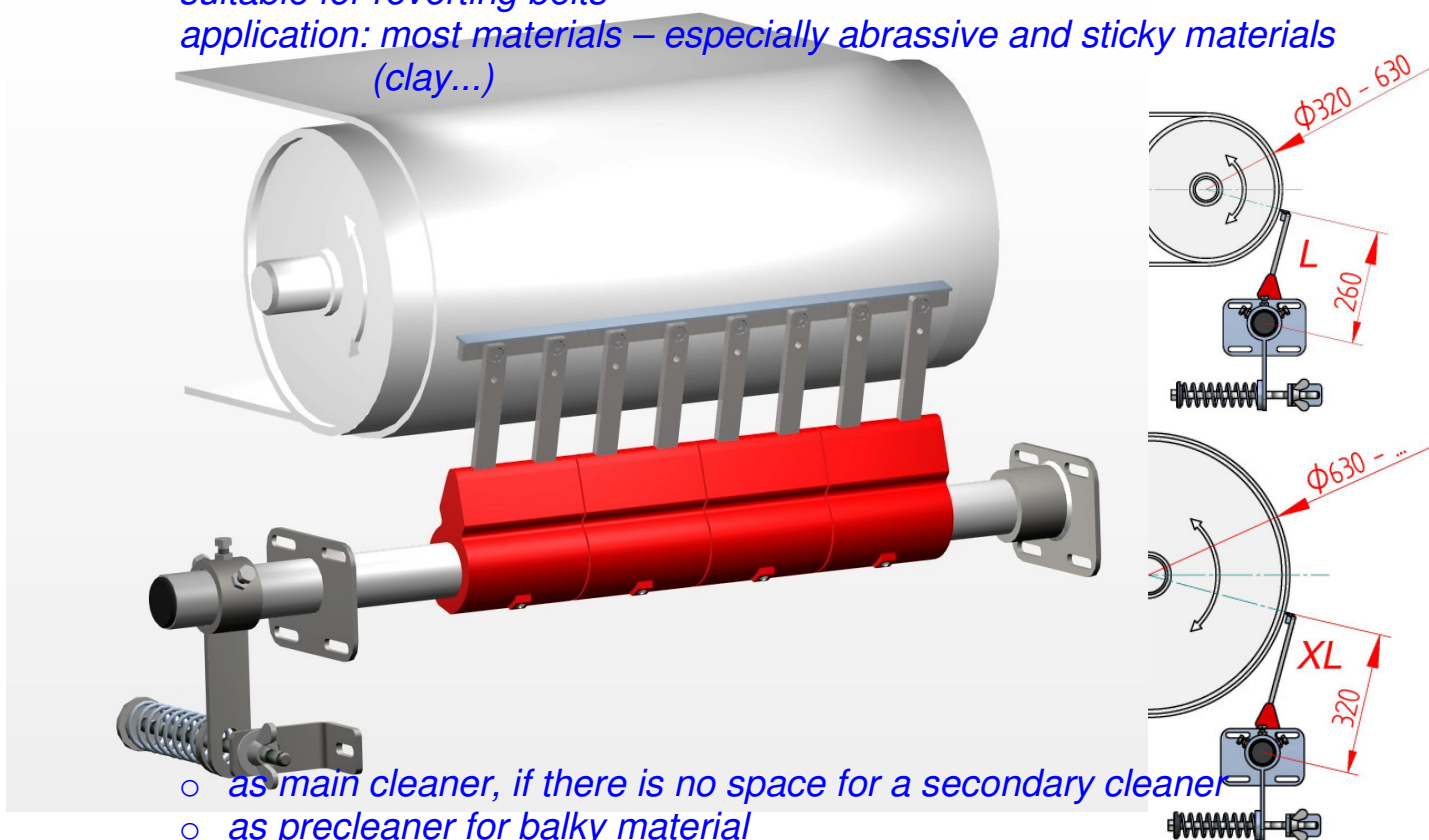
# DURO – FLEX<sup>®</sup> P-3

-30° / +80°

(belt width 1000 - 2000mm)

suitable for reverting belts

application: most materials – especially abrasive and sticky materials  
(clay...)



- as main cleaner, if there is no space for a secondary cleaner
- as pre-cleaner for balky material
- elements of **stainless steel** and **polyurethane** – limited chemical resistance
- tube alternatively stainless steel
- automatic tensioning by spring tensioner
- not applicable for mechanical splices

belt width	recommended scraping width	main frame Ø 60,3mm	no. elements	scraper	price	spare blade	price
mm	mm	mm	Pièces		€		€
1000	750	1500	5	11710 - 750 (L / XL)		11720 - 150	
1200	900	1700	6	11710 - 900 (L / XL)		11720 - 200	
1400	1200	1900	8	11710 - 1200 (L / XL)			
1600	1350	2100	9	11710 - 1350 (L / XL)			
x 1800	1500	2300	10	11710 - 1500 (L / XL)			
x 2000	1800	2500	12	11710 - 1800 (L / XL)			
single element P – 3 incl. tungstene carbide blade:					11710 (L / XL)		
single element P – 3 without tungstene carbide blade:					11711 (L / XL)		
spring tensioner incl. mounting plates:					52310		
x spring tensioner both sides:					52310-6		

DURO-FLEX – BELT CLEANING



# DURO – FLEX<sup>®</sup> P - 3

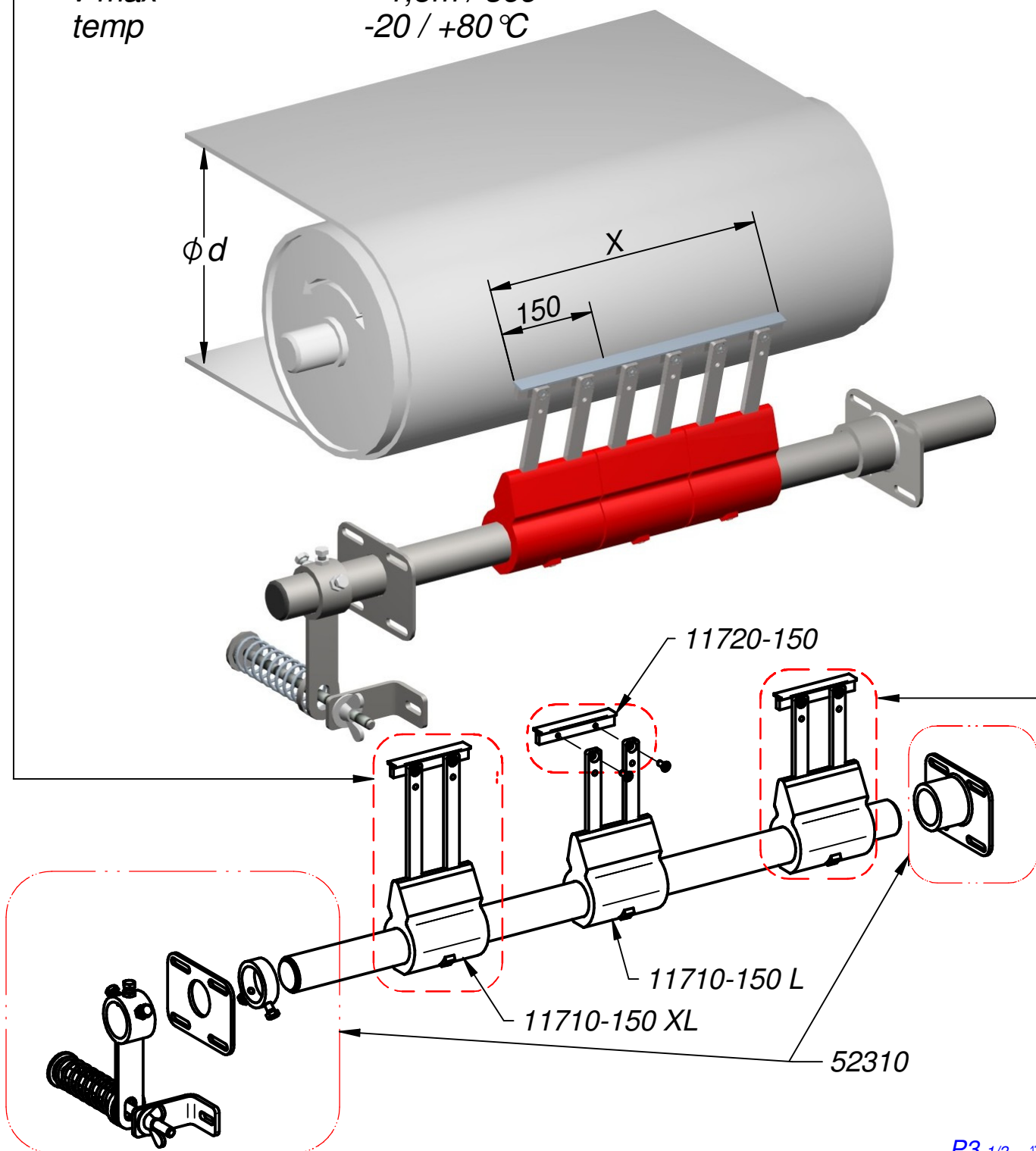
mit Federspanner      with spring-tensioner      ← 52310  
avec tendeur-ressort      con tirante a molla

$\phi d$  200 - 600mm      element P-3 L      11710-150

$\phi d$  600 - 1000mm      element P-3 XL      11710-150

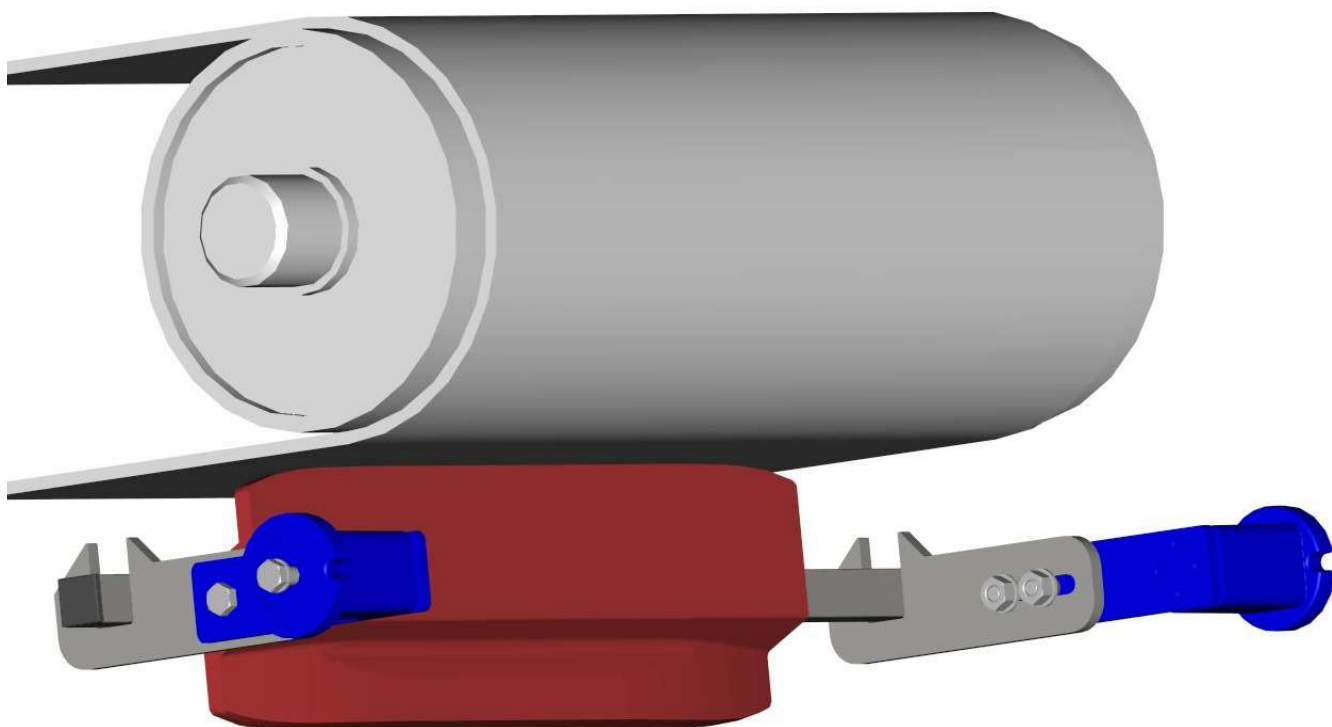
x  
v max  
temp

600 - 1800mm  
1,5m / sec  
-20 / +80 °C



# DURO – FLEX<sup>®</sup> 101

-40 °C / +70 °C

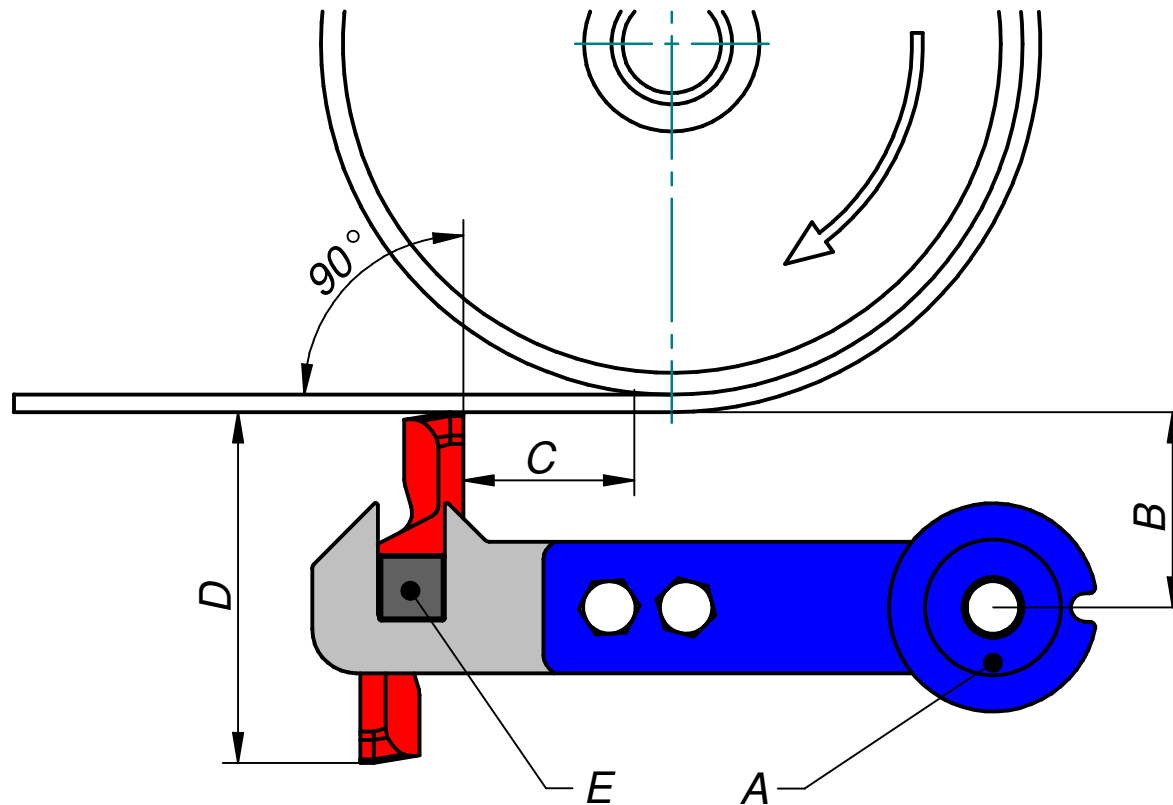


- economically priced scraper from polyurethane 90° shore
- applicable for mechanical splices
- tube alternatively stainless steel

scraping width (mm)	tube (mm)		art.no.	price (€)
350	850	30 x 30 x 3	11010 - 350	
450	1000	"	11010 - 450	
600	1200	"	11010 - 600	
700	1200	"	11010 - 700	
800	1300	"	11010 - 800	
1 pair tensioner SE-27 incl. arms (350 – 800mm):			51275	
1 pair arms for SE-27:			51527	
900	1500	30 x 30 x 4	11010 - 900	
1000	1500	"	11010 - 1000	
1100	1500	"	11010 - 1100	
1200	1500	"	11010 - 1200	
1300	1500	"	11010 - 1300	
1 pair tensioner SE-38 incl. arms (900 – 1300mm):			51385	
1 pair arms for SE-38:			51538	
Other scraping widths on request.				

**DURO-FLEX BELT CLEANING**

# DURO – FLEX® 101



GURT / BELT  
BANDE / NASTRO

	A	B	C	D	E
400 mm - 800mm: →	SE 27 (M12)	90mm	50 - 100mm	161mm	30x30mm
1000 mm - 1400mm: →	SE 38 (M16)	90mm	50 - 100mm	161mm	30x30mm

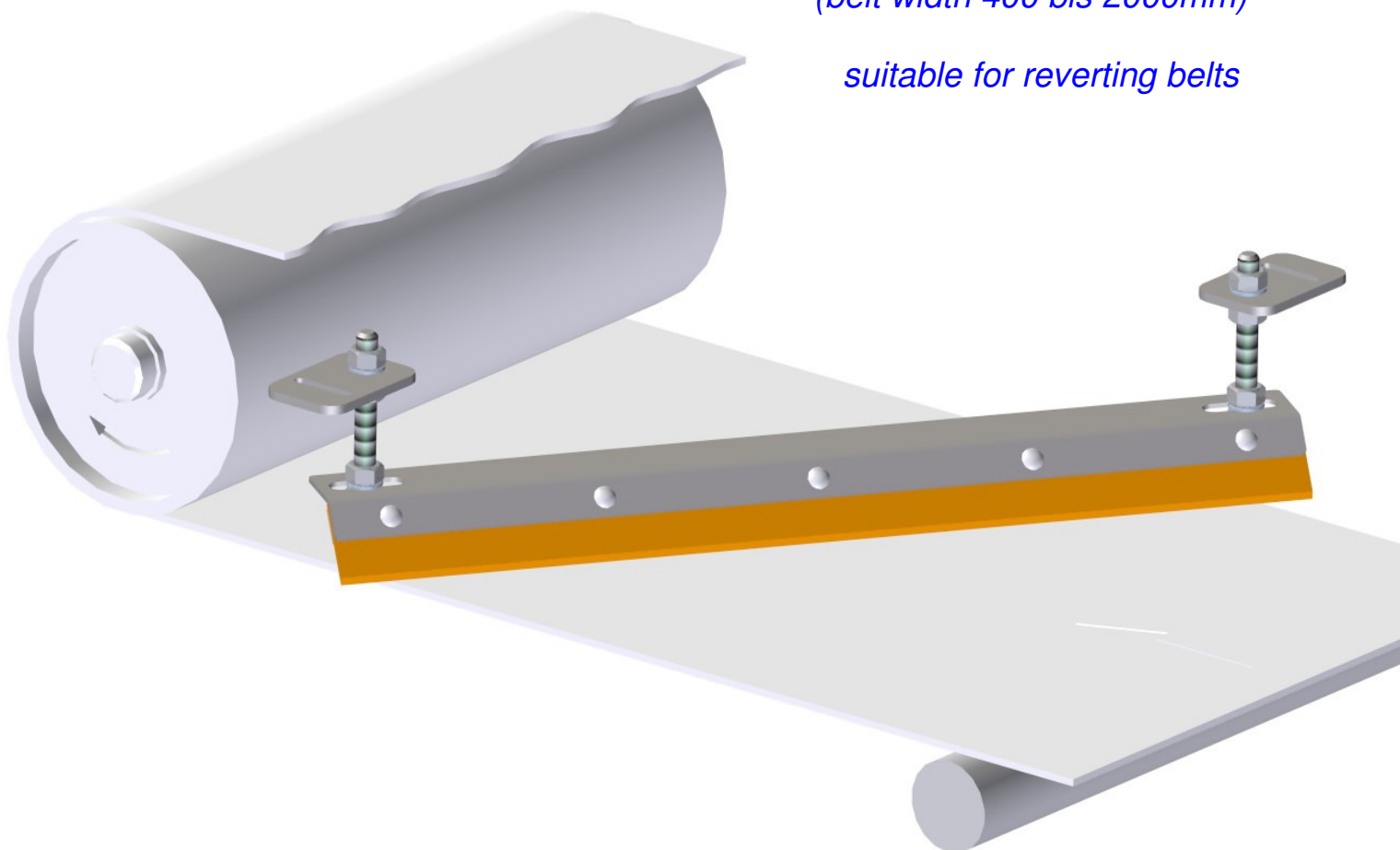
**DURO-FLEX BELT CLEANING**

# DURO – FLEX<sup>®</sup> DIAGONAL

with screw tensioner

–30 °C / +80 °C  
(belt width 400 bis 2000mm)

suitable for reverting belts



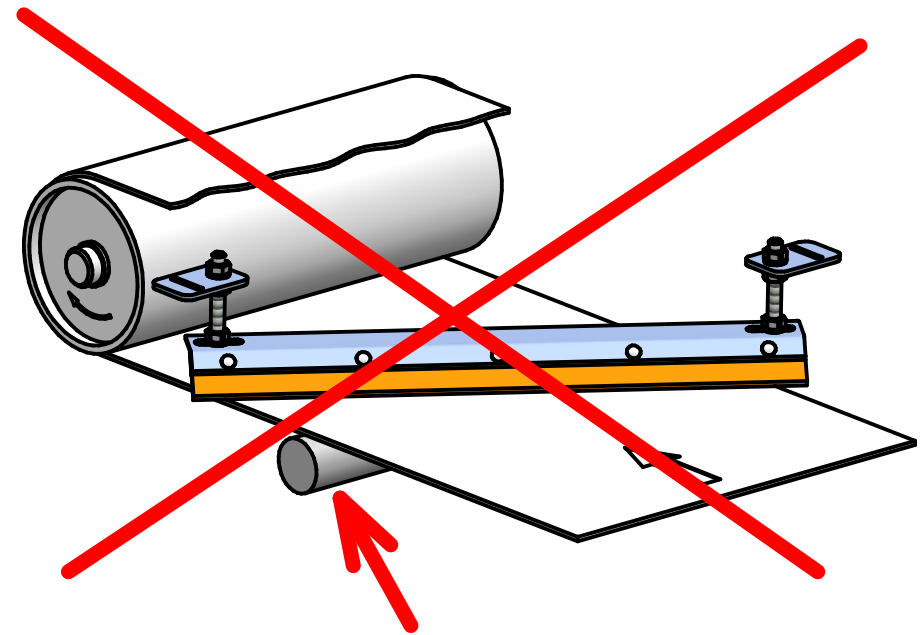
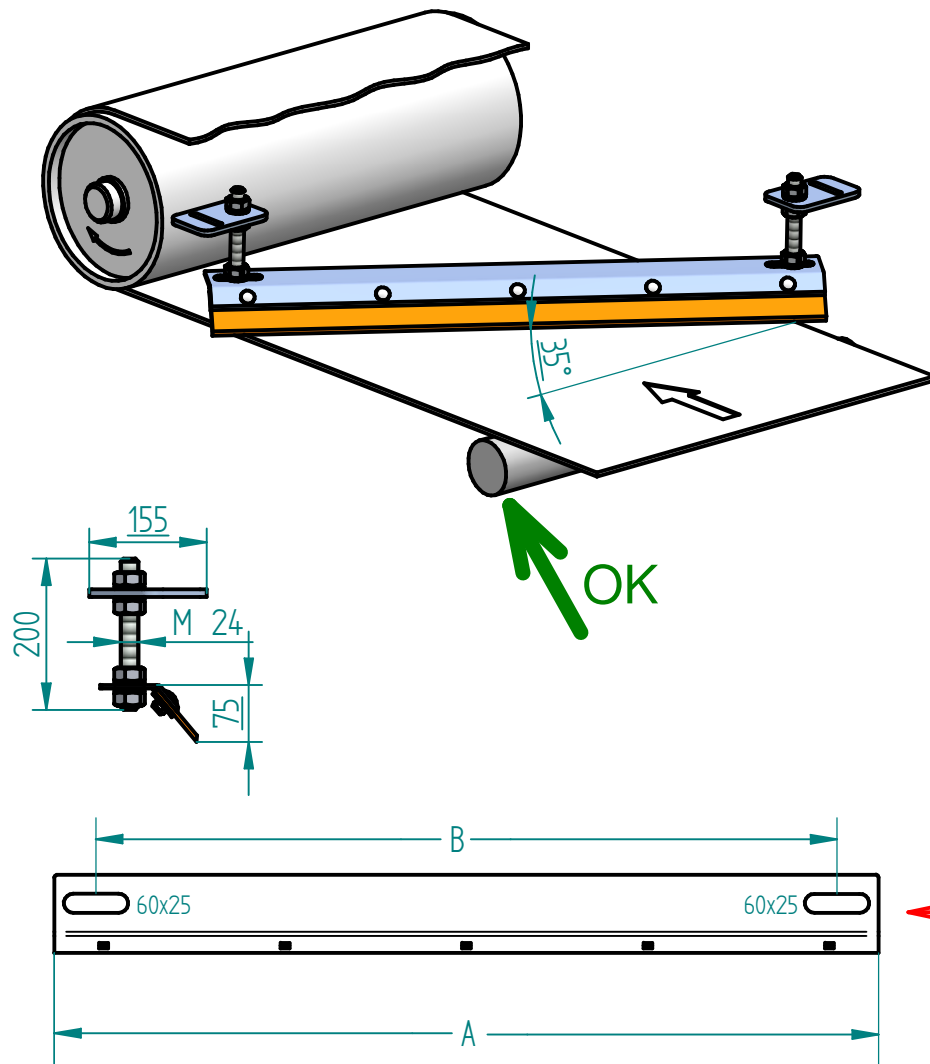
- diagonal plow from stainless steel and polyurethane
- screw tensioner zinc plated or alternatively stainless steel
- removes lumps, rocks or other fugitive material before they damage the belt

belt width	scraping width	scraper	price	spare blade	price
mm	mm		€		€
500	550	13150 - 550		13160 - 550	
650	700	13150 - 700		13160 - 700	
800	850	13150 - 850		13160 - 850	
1000	1050	13150 - 1050		13160 - 1050	
1200	1250	13150 - 1250		13160 - 1250	
1400	1450	13150 - 1450		13160 - 1450	
1600	1650	13150 - 1650		13160 - 1650	
1800	1850	13150 - 1850		13160 - 1850	
2000	2050	13150 - 2050		13160 - 2050	

incl. mounting and tensioning system

**DURO – FLEX BELT CLEANING**

# DURO – FLEX<sup>®</sup> DIAGONAL



GURT / BELT BANDE / NASTRO	A (mm)	B (mm)
400	595	485
500	715	605
650	895	785
800	1090	980
1000	1330	1220
1200	1570	1460
1400	1810	1700

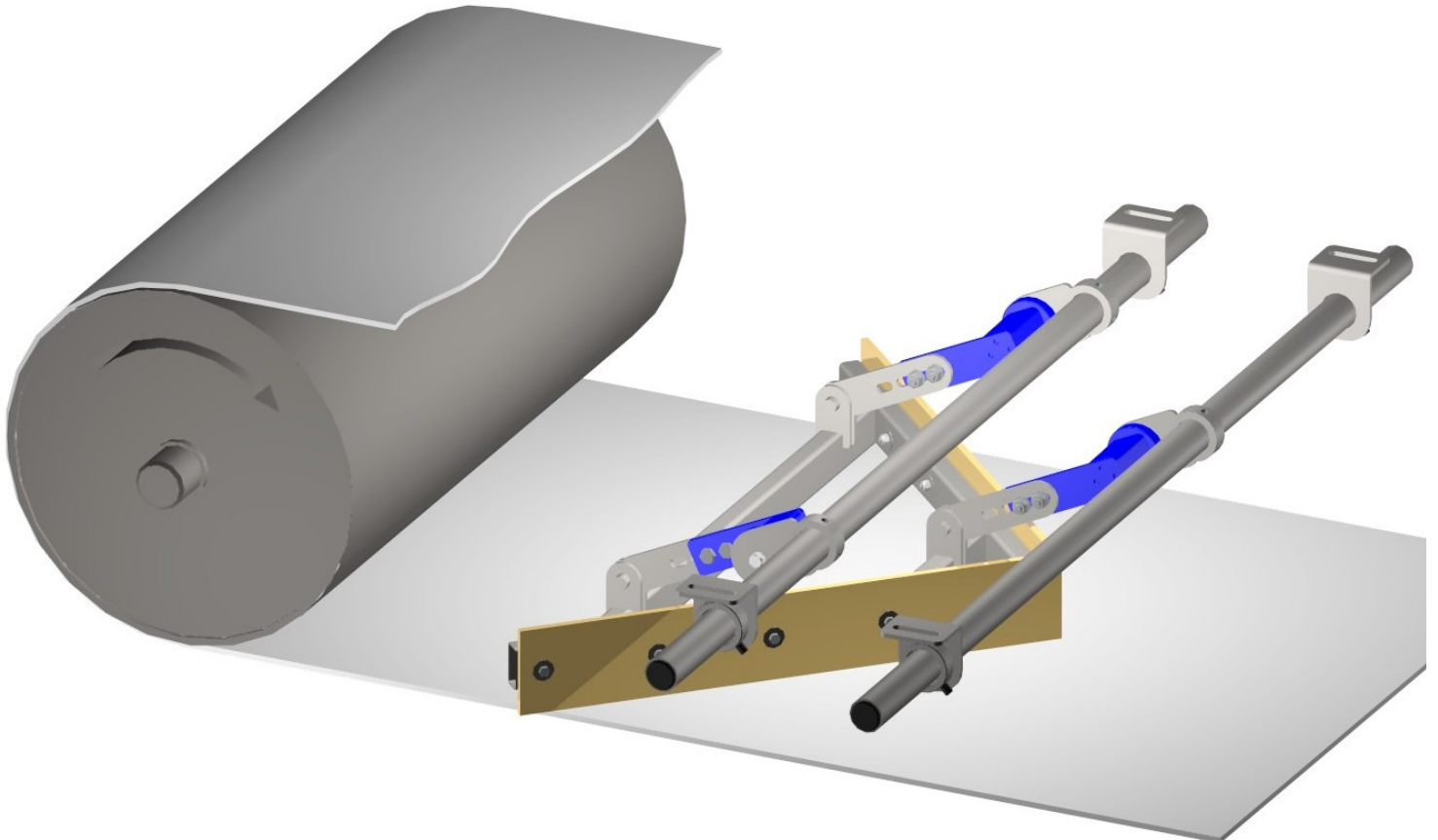
DURO-FLEX BELT CLEANING

# DURO – FLEX<sup>®</sup> plough

-30° / +80°

(belt width 400 - 1400mm)

for reverting belts: DURO-FLEX<sup>®</sup> plough R



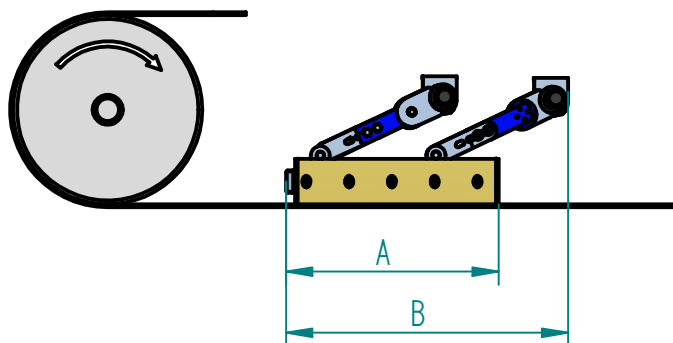
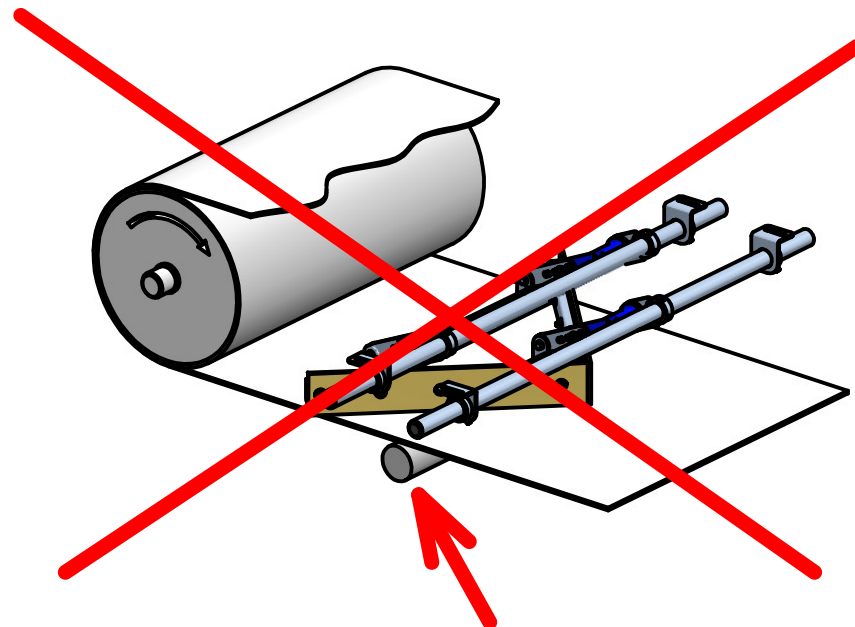
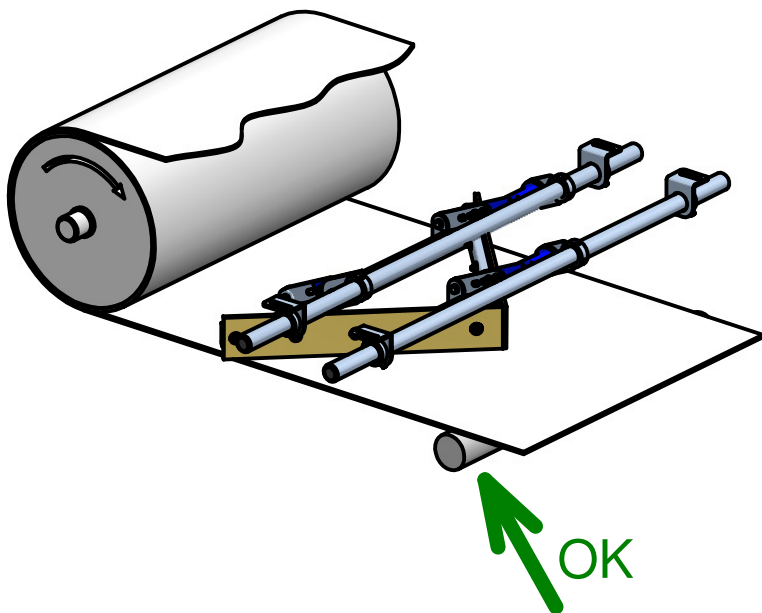
- PU blades for maximum blade life and minimum belt wear
- optimal belt contact due to torsion tensioner

belt width	scraping width	mainframe Ø 48,3mm	scraper	price	spare blade	price
mm	mm	mm		€		€
500	550	1100	13110 - 550		13120 - 550	
650	700	1350	13110 - 700		13120 - 700	
800	850	1450	13110 - 850		13120 - 850	
1000	1050	1650	13110 - 1050		13120 - 1050	
1200	1250	1850	13110 - 1250		13120 - 1250	
1400	1450	2050	13110 - 1450		13120 - 1450	

*incl. mounting and tensioning system*

**DURO – FLEX BELT CLEANING**

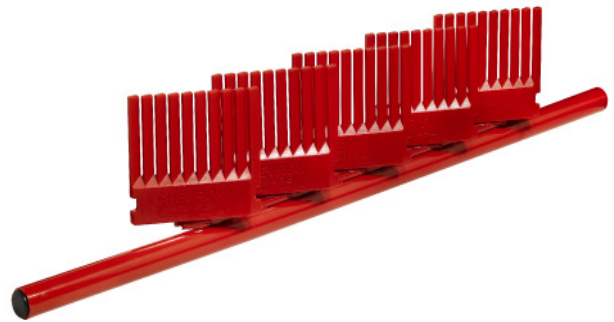
# DURO – FLEX® PFLUG / plough



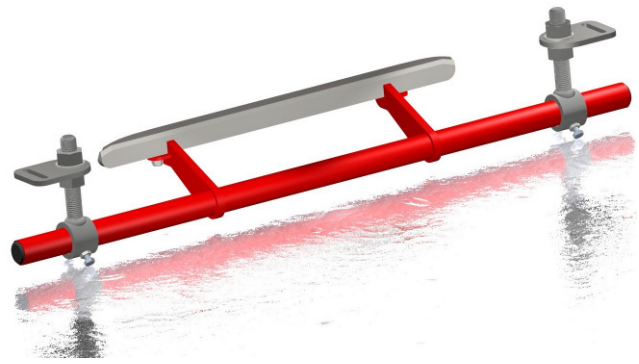
GURT / BELT BANDE / NASTRO	A(mm)	B(mm)
500	336	ca.600
650	386	ca.600
800	460	ca.650
1000	562	ca.750
1200	670	ca.850
1400	763	ca.950



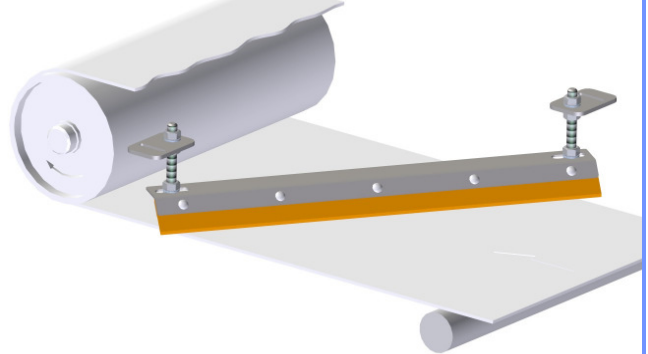
*DURO-FLEX® CHEVRON*



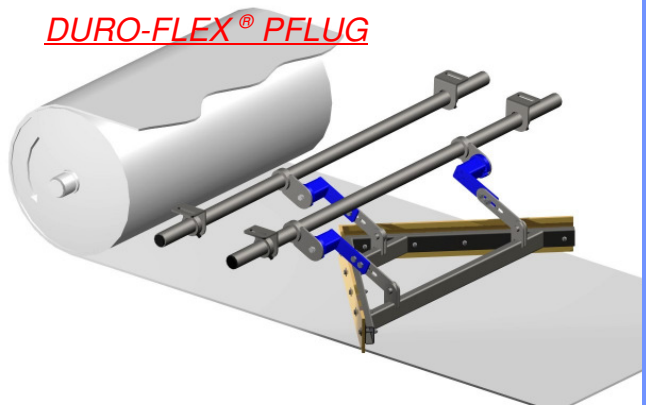
*DURO – FLEX® REA*



*DURO-FLEX® DIAGONAL*



*DURO-FLEX® PFLUG*



HOESSL GmbH  
A 4210 Gallneukirchen  
E-Mail: [info@duro-flex.eu](mailto:info@duro-flex.eu)  
Internet: [www.duro-flex.eu](http://www.duro-flex.eu)